

第十四届全运会女子手球资格赛暨2021年“体彩杯”全国女子手球冠军杯赛

万州

Semi-Final

FTR
Match NO.19

江苏 36.5 - 23.0 山东
(19.5-14.5)(17.0-8.5)

2021-05-26 16:00
万州体育馆

Referees: 李兆蒙(CHN) / 马晓晔(CHN)

江苏

Players		Goals/shots										Attack			Defense			Penalties			TP			
#	Surname and name	Tot.	%	9m	6m	Wing	7m	Fst.	Brk.	FT	LD	As.	PC	E7	OF	St.	C7	Blk	W	2m		D	Dr	
3	张海侠	3/6	50		1/2	0/1		0/1	1/1		1/1	2		1							1			56:35
4	赵佳芹	2/4	50	1/1					1/1	0/2		1			3									17:30
5	庄红艳	3/4	75	0/1			1/1		2/2															08:23
6	凤洋	1/1	100					1/1							1									03:12
8	乔如	5/6	83.33		5/5				0/1						2		1	3						54:55
9	莫蒙蒙	1/1	100					1/1													1			38:05
11	于源源	7/9	77.78			2/4		5/5						1		1								53:11
12	黄霞														2									54:08
16	王小华																							06:24
17	修丽杰																							03:24
18	戴小宇																							00:00
24	王丹																							06:48
32	孙姣																							00:32
34	金梦青	7/13	53.85	0/2	1/1		2/3	2/3	2/3	0/1					1		2							56:58
43	王书慧																							00:03
69	蓝小玲	2/5	40		0/1			1/1	1/2	0/1		3			3		1	7						60:00
	Total	31/49	63.27	1/4	7/9	2/5	3/4	10/12	7/10	0/4	1/1	6		2	12	1	4	10		2				07:00:08

Goalkeepers		Saves / shots											TP
#	Surname and name	Tot.	%	9m	6m	Wing	7m	Fst.	Brk.	FT	LD		
12	黄霞	14/29	48.28	7/10	1/5		2/2	0/6	2/3	2/3		54:08	
16	王小华	1/4	25	0/1	0/1			0/1	1/1			06:24	
	Total	15/33	45.45	7/11	1/6		2/2	0/7	3/4	2/3		01:00:32	

Jersey number Tot. Total shooting 6m 6m shooting 9m 9m shooting Wing Wing shooting Fst Fastbreak 7m 7m Throw
 Brk. Breakthrough LD Long distance shooting As. Assists E7 Earned 7m St. Steals 2m 2-minute suspension C7. Received 7m
 D Disqualification Dr Disqualification+Report FT Free Throw PC Pass clear chance OF Offensiven Foul TP Time played W warning
 Blk. Block

第十四届全运会女子手球资格赛暨2021年“体彩杯”全国女子手球冠军杯赛

万州
Semi-Final

Match Team Statistics
Match NO.19

江苏 36.5 - 23.0 山东
(19.5-14.5)(17.0-8.5)

2021-05-26 16:00
万州体育馆

Referees: 李兆蒙(CHN) / 马晓晔(CHN)

Shot distribution by player

3.张海侠

4.赵佳芹

5.庄红艳

6.凤洋

8.乔如

9.莫蒙蒙

11.于源源

2/3		0/1
1/1		0/1

1/1	0/1	1/1

1/1		
1/1		
1/1		

		1/1

	1/1	1/1
		0/1
2/2		1/1

1/1		

2/2	1/1	
		2/3
1/2		1/1

12.黄霞

1post
16.王小华

1post
17.修丽杰

18.戴小宇

24.王丹

32.孙姣

34.金梦青

2/2		0/2
1/2		
2/2	0/1	2/2

43.王书慧

69.蓝小玲

.Total

2post

		0/1
1/2		1/2

7/8	2/2	1/5
2/3		2/4
10/12	0/2	7/9

4post

Saves distribution goalkeepers

12.黄霞

16.王小华

.Total

1/3	1/1	2/4
1/1	1/1	4/4
2/9		2/6

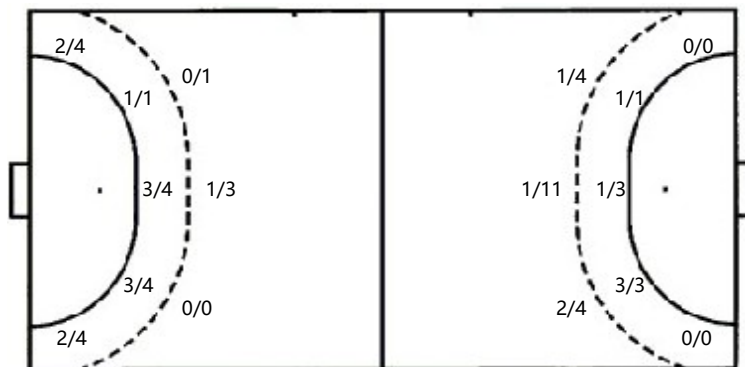
0/1		
0/1		
0/1	1/1	

1/4	1/1	2/4
1/2	1/1	4/4
2/10	1/1	2/6

Shots by position

ATTACK

DEFENSE



7m penalties 3/4

Fastbreak 10/12

Breakthrough 7/10

Long dist. 1/1

7m penalties 0/2

Fastbreak 7/7

Breakthrough 1/6

Long dist. 0/0

Shooting statistics

Position	Goals	Save	Miss	Post	Blk	Total	%
Back (9m)	1	2		1		4	25
Line (6m)	7	2				9	78
Wing	2	3				5	40
7m penalties	3			1		4	75
Fastbreak	10	2				12	83
Breakthrough	7	2		1		10	70
Total	30	11		3		44	68

Jersey number Tot. Total shooting 6m 6m shooting 9m 9m shooting Wing Wing shooting Fst Fastbreak 7m 7m Throw
 Brk. Breakthrough LD Long distance shooting As. Assists E7 Earned 7m St. Steals 2m 2-minute suspension C7. Received 7m
 D Disqualification Dr Disqualification+Report FT Free Throw PC Pass clear chance OF Offensiven Foul TP Time played W warning

第十四届全运会女子手球资格赛暨2021年“体彩杯”全国女子手球冠军杯赛

万州

Semi-Final

Match Team Statistics
Match NO.19

江苏 36.5 - 23.0 山东
(19.5-14.5)(17.0-8.5)

2021-05-26 16:00
万州体育馆

Referees: 李兆蒙(CHN) / 马晓晔(CHN)

山东

Players		Goals/shots										Attack				Defense			Penalties			TP		
#	Surname and name	Tot.	%	9m	6m	Wing	7m	Fst.	Brk.	FT	LD	As.	PC	E7	OF	St.	C7	Blk	W	2m	D		Dr	
1	刘畅																							28:37
2	林燕群	3/18	16.67	0/8	1/2		0/1		1/3	1/4			1		4									37:33
5	张越																							00:00
6	孙玉坤																							04:35
9	周钰婷	1/5	20	1/4						0/1				2			1							52:06
10	田秀秀	4/7	57.14	2/3	1/1			1/1	0/1	0/1				1	7							1		50:33
11	吕青纹	0/1							0/1															21:01
15	吴作扬													1										02:31
16	宋俊蓉																							19:35
17	高梦洁																					1		02:02
18	刘婵	3/4	75	1/2				2/2							1									32:47
19	姜伟珊	2/2	100					2/2							1									38:57
20	张悦	2/3	66.67	0/1				2/2							1	1	1							40:45
23	徐悦																							13:39
27	宫蕾	3/5	60		3/4		0/1								1									48:05
33	王彩琳	0/2		0/1					0/1						1									14:43
	Total	18/47	38.3	4/19	5/7		0/2	7/7	1/6	1/6			1	4	16	1	2					2		06:47:29

Goalkeepers		Saves / shots											TP
#	Surname and name	Tot.	%	9m	6m	Wing	7m	Fst	Brk.	FT	LD		
1	刘畅	11/31	35.48	2/2	1/7	2/4	0/1	2/7	2/8	2/2		28:37	
16	宋俊蓉	3/14	21.43	0/1	1/2	1/1	0/2	0/5	0/1	1/1	0/1	19:35	
	Total	14/45	31.11	2/3	2/9	3/5	0/3	2/12	2/9	3/3	0/1	00:48:12	

Jersey number Tot. Total shooting 6m 6m shooting 9m 9m shooting Wing Wing shooting Fst Fastbreak 7m 7m Throw
 Brk. Breakthrough LD Long distance shooting As. Assists E7 Earned 7m St. Steals 2m 2-minute suspension C7. Received 7m
 D Disqualification Dr Disqualification+Report FT Free Throw PC Pass clear chance OF Offensiven Foul TP Time played W warning
 Blk. Block

第十四届全运会女子手球资格赛暨2021年“体彩杯”全国女子手球冠军杯赛

万州
Semi-Final

FTR
Match NO.19

江苏 36.5 - 23.0 山东
(19.5-14.5)(17.0-8.5)

2021-05-26 16:00
万州体育馆

Referees: 李兆蒙(CHN) / 马晓晔(CHN)

Shot distribution by player

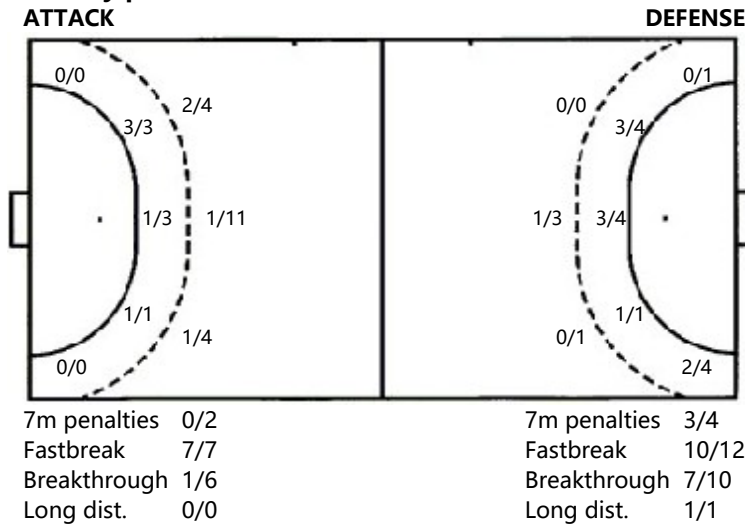
1.刘畅	2.林燕群	5.张越	6.孙玉坤	9.周钰婷	10.田秀秀	11.吕青纹																																																															
<table border="1" style="width: 100%;"><tr><td> </td><td> </td><td> </td></tr><tr><td> </td><td> </td><td> </td></tr><tr><td> </td><td> </td><td> </td></tr></table>										<table border="1" style="width: 100%;"><tr><td>2/2</td><td> </td><td> </td></tr><tr><td>0/1</td><td>0/1</td><td>0/2</td></tr><tr><td> </td><td> </td><td>1/3</td></tr></table>	2/2			0/1	0/1	0/2			1/3	<table border="1" style="width: 100%;"><tr><td> </td><td> </td><td> </td></tr><tr><td> </td><td> </td><td> </td></tr><tr><td> </td><td> </td><td> </td></tr></table>										<table border="1" style="width: 100%;"><tr><td> </td><td> </td><td> </td></tr><tr><td> </td><td> </td><td> </td></tr><tr><td> </td><td> </td><td> </td></tr></table>										<table border="1" style="width: 100%;"><tr><td> </td><td> </td><td>0/1</td></tr><tr><td> </td><td> </td><td>0/1</td></tr><tr><td>1/1</td><td> </td><td> </td></tr></table>			0/1			0/1	1/1			<table border="1" style="width: 100%;"><tr><td>1/1</td><td>0/1</td><td>1/2</td></tr><tr><td> </td><td> </td><td> </td></tr><tr><td>2/2</td><td> </td><td> </td></tr></table>	1/1	0/1	1/2				2/2			<table border="1" style="width: 100%;"><tr><td> </td><td> </td><td> </td></tr><tr><td> </td><td> </td><td> </td></tr><tr><td> </td><td> </td><td> </td></tr></table>									
2/2																																																																					
0/1	0/1	0/2																																																																			
		1/3																																																																			
		0/1																																																																			
		0/1																																																																			
1/1																																																																					
1/1	0/1	1/2																																																																			
2/2																																																																					
15.吴作扬	2miss 7block 16.宋俊蓉	17.高梦洁	18.刘婵	1miss 1block 19.姜伟珊	20.张悦	1miss 23.徐悦																																																															
<table border="1" style="width: 100%;"><tr><td> </td><td> </td><td> </td></tr><tr><td> </td><td> </td><td> </td></tr><tr><td> </td><td> </td><td> </td></tr></table>										<table border="1" style="width: 100%;"><tr><td> </td><td> </td><td> </td></tr><tr><td> </td><td> </td><td> </td></tr><tr><td> </td><td> </td><td> </td></tr></table>										<table border="1" style="width: 100%;"><tr><td> </td><td> </td><td> </td></tr><tr><td> </td><td> </td><td> </td></tr><tr><td> </td><td> </td><td> </td></tr></table>										<table border="1" style="width: 100%;"><tr><td>0/1</td><td> </td><td> </td></tr><tr><td> </td><td> </td><td> </td></tr><tr><td>2/2</td><td> </td><td>1/1</td></tr></table>	0/1						2/2		1/1	<table border="1" style="width: 100%;"><tr><td> </td><td> </td><td>1/1</td></tr><tr><td>1/1</td><td> </td><td> </td></tr><tr><td> </td><td> </td><td> </td></tr></table>			1/1	1/1						<table border="1" style="width: 100%;"><tr><td> </td><td> </td><td> </td></tr><tr><td> </td><td> </td><td> </td></tr><tr><td>1/2</td><td> </td><td>1/1</td></tr></table>							1/2		1/1	<table border="1" style="width: 100%;"><tr><td> </td><td> </td><td> </td></tr><tr><td> </td><td> </td><td> </td></tr><tr><td> </td><td> </td><td> </td></tr></table>									
0/1																																																																					
2/2		1/1																																																																			
		1/1																																																																			
1/1																																																																					
1/2		1/1																																																																			
27.官蕾	33.王彩琳	.Total																																																																			
<table border="1" style="width: 100%;"><tr><td> </td><td> </td><td> </td></tr><tr><td> </td><td> </td><td>0/1</td></tr><tr><td>2/3</td><td> </td><td>1/1</td></tr></table>						0/1	2/3		1/1	<table border="1" style="width: 100%;"><tr><td> </td><td> </td><td> </td></tr><tr><td> </td><td> </td><td> </td></tr><tr><td> </td><td>0/1</td><td> </td></tr></table>								0/1		<table border="1" style="width: 100%;"><tr><td>3/4</td><td>0/1</td><td>2/4</td></tr><tr><td>1/2</td><td>0/1</td><td>0/4</td></tr><tr><td>8/10</td><td>0/1</td><td>4/6</td></tr></table>					3/4	0/1	2/4	1/2	0/1	0/4	8/10	0/1	4/6																																				
		0/1																																																																			
2/3		1/1																																																																			
	0/1																																																																				
3/4	0/1	2/4																																																																			
1/2	0/1	0/4																																																																			
8/10	0/1	4/6																																																																			

4miss 10block

Saves distribution goalkeepers

1.刘畅	16.宋俊蓉	.Total																											
<table border="1" style="width: 100%;"><tr><td>1/4</td><td>0/2</td><td>4/5</td></tr><tr><td>0/1</td><td> </td><td>1/3</td></tr><tr><td>2/9</td><td>2/2</td><td>1/5</td></tr></table>	1/4	0/2	4/5	0/1		1/3	2/9	2/2	1/5	<table border="1" style="width: 100%;"><tr><td>0/4</td><td> </td><td> </td></tr><tr><td>1/2</td><td> </td><td>1/1</td></tr><tr><td>0/3</td><td> </td><td>1/4</td></tr></table>	0/4			1/2		1/1	0/3		1/4	<table border="1" style="width: 100%;"><tr><td>1/8</td><td>0/2</td><td>4/5</td></tr><tr><td>1/3</td><td> </td><td>2/4</td></tr><tr><td>2/12</td><td>2/2</td><td>2/9</td></tr></table>	1/8	0/2	4/5	1/3		2/4	2/12	2/2	2/9
1/4	0/2	4/5																											
0/1		1/3																											
2/9	2/2	1/5																											
0/4																													
1/2		1/1																											
0/3		1/4																											
1/8	0/2	4/5																											
1/3		2/4																											
2/12	2/2	2/9																											

Shots by position



Shooting statistics

Position	Goals	Save	Miss	Post	Blk	Total	%
Back (9m)	4	7	1		7	19	21
Line (6m)	5	1	1			7	71
Wing							
7m penalties		2				2	
Fastbreak	7					7	100
Breakthrough	1	3	2			6	17
Total	17	13	4		7	41	41

Jersey number **Tot.** Total shooting **6m** 6m shooting **9m** 9m shooting **Wing** Wing shooting **Fst** Fastbreak **7m** 7m Throw
Brk. Breakthrough **LD** Long distance shooting **As.** Assists **E7** Earned 7m **St.** Steals **2m** 2-minute suspension **C7.** Received 7m
D Disqualification **Dr** Disqualification+Report **FT** Free Throw **PC** Pass clear chance **OF** Offensiven Foul **TP** Time played **W** warning
Blk. Block