

第十四届全运会男子手球资格赛暨2021年“体彩杯”全国男子手球冠军杯赛

万州

Place 5-6

FTR
Match NO.30

上海 35.5 - 44.0 广东
(19.5-20.5)(16.0-23.5)

2021-05-16 09:30
万州体育馆

Referees: 严璐(CHN) / 王亚光(CHN)

上海

Players		Goals/shots										Attack			Defense			Penalties			TP			
#	Surname and name	Tot.	%	9m	6m	Wing	7m	Fst.	Brk.	FT	LD	As.	PC	E7	OF	St.	C7	Blk	W	2m		D	Dr	
1	张崢																							00:00
2	陆骏杰	1/1	100				1/1										1							00:00
5	贺政	3/5	60	0/1		1/2		2/2							1									22:20
6	周倍仕	3/6	50	1/2	0/1		2/2			0/1														00:00
7	张立成	1/9	11.11	1/6				0/1	0/2						2									14:27
8	高震东	5/10	50	2/5	0/1			0/1	3/3						1	1		1						40:29
9	刘子杰	2/3	66.67		1/2				1/1					2	2			1						38:34
10	朱世杰	1/1	100	1/1											2									15:26
11	蒋慧捷	2/5	40		1/2	1/2			0/1						1									29:57
12	周哲韬																							60:00
13	谢智超	1/1	100						1/1				1		1		1							00:34
15	庄旭杰	0/1	0					0/1																22:44
17	余华龙	9/13	69.23	2/5		1/1		3/3	3/4				2		1	1	1	3		1				30:00
18	吴双	2/4	50	1/1	1/1	0/1		0/1								1								25:26
	Total	30/59	50.85	8/21	3/7	3/6	3/3	5/9	8/12	0/1		2	1	2	11	3	3	5		1				04:59:57

Goalkeepers		Saves / shots										TP
#	Surname and name	Tot.	%	9m	6m	Wing	7m	Fst.	Brk.	FT	LD	
1	张崢											00:00
12	周哲韬	16/53	30.19	5/11	4/11	0/8	0/2	3/13	4/8			60:00
	Total	16/53	30.19	5/11	4/11	0/8	0/2	3/13	4/8			01:00:00

Jersey number Tot. Total shooting 6m 6m shooting 9m 9m shooting Wing Wing shooting Fst Fastbreak 7m 7m Throw
 Brk. Breakthrough LD Long distance shooting As. Assists E7 Earned 7m St. Steals 2m 2-minute suspension C7. Received 7m
 D Disqualification Dr Disqualification+Report FT Free Throw PC Pass clear chance OF Offensiven Foul TP Time played W warning
 Blk. Block

第十四届全运会男子手球资格赛暨2021年“体彩杯”全国男子手球冠杯赛

万州

Place 5-6

Match Team Statistics
Match NO.30

上海 35.5 - 44.0 广东
(19.5-20.5)(16.0-23.5)

2021-05-16 09:30
万州体育馆

Referees: 严璐(CHN) / 王亚光(CHN)

Shot distribution by player

1.张峥	2.陆骏杰	5.贺政	6.周倍仕	7.张立成	8.高震东	9.刘子杰																																																															
<table border="1" style="width: 100%; height: 40px;"><tr><td> </td><td> </td><td> </td></tr><tr><td> </td><td> </td><td> </td></tr><tr><td> </td><td> </td><td> </td></tr></table>										<table border="1" style="width: 100%; height: 40px;"><tr><td>1/1</td><td> </td><td> </td></tr><tr><td> </td><td> </td><td> </td></tr><tr><td> </td><td> </td><td> </td></tr></table>	1/1									<table border="1" style="width: 100%; height: 40px;"><tr><td> </td><td> </td><td>0/1</td></tr><tr><td> </td><td> </td><td> </td></tr><tr><td>3/3</td><td> </td><td> </td></tr></table>			0/1				3/3			<table border="1" style="width: 100%; height: 40px;"><tr><td> </td><td> </td><td> </td></tr><tr><td> </td><td> </td><td> </td></tr><tr><td>1/1</td><td> </td><td>2/2</td></tr></table>							1/1		2/2	<table border="1" style="width: 100%; height: 40px;"><tr><td> </td><td> </td><td>0/1</td></tr><tr><td>1/2</td><td>0/2</td><td>0/1</td></tr><tr><td>0/1</td><td> </td><td> </td></tr></table>			0/1	1/2	0/2	0/1	0/1			<table border="1" style="width: 100%; height: 40px;"><tr><td>1/1</td><td>1/1</td><td> </td></tr><tr><td>0/2</td><td> </td><td>1/1</td></tr><tr><td>1/2</td><td> </td><td>1/2</td></tr></table>	1/1	1/1		0/2		1/1	1/2		1/2	<table border="1" style="width: 100%; height: 40px;"><tr><td> </td><td> </td><td>1/1</td></tr><tr><td> </td><td> </td><td> </td></tr><tr><td> </td><td> </td><td>1/1</td></tr></table>			1/1						1/1
1/1																																																																					
		0/1																																																																			
3/3																																																																					
1/1		2/2																																																																			
		0/1																																																																			
1/2	0/2	0/1																																																																			
0/1																																																																					
1/1	1/1																																																																				
0/2		1/1																																																																			
1/2		1/2																																																																			
		1/1																																																																			
		1/1																																																																			
10.朱世杰	11.蒋慧捷	12.周哲韬	13.谢智超	15.庄旭杰	17.余华龙	18.吴双																																																															
<table border="1" style="width: 100%; height: 40px;"><tr><td> </td><td> </td><td> </td></tr><tr><td> </td><td> </td><td> </td></tr><tr><td>1/1</td><td> </td><td> </td></tr></table>							1/1			<table border="1" style="width: 100%; height: 40px;"><tr><td> </td><td> </td><td> </td></tr><tr><td>0/1</td><td> </td><td>1/2</td></tr><tr><td> </td><td>1/1</td><td> </td></tr></table>				0/1		1/2		1/1		<table border="1" style="width: 100%; height: 40px;"><tr><td> </td><td> </td><td> </td></tr><tr><td> </td><td> </td><td> </td></tr><tr><td> </td><td> </td><td> </td></tr></table>										<table border="1" style="width: 100%; height: 40px;"><tr><td> </td><td> </td><td> </td></tr><tr><td> </td><td> </td><td> </td></tr><tr><td>1/1</td><td> </td><td> </td></tr></table>							1/1			<table border="1" style="width: 100%; height: 40px;"><tr><td> </td><td> </td><td> </td></tr><tr><td> </td><td> </td><td> </td></tr><tr><td>0/1</td><td> </td><td> </td></tr></table>							0/1			<table border="1" style="width: 100%; height: 40px;"><tr><td> </td><td>1/1</td><td>1/2</td></tr><tr><td> </td><td> </td><td>1/2</td></tr><tr><td>3/4</td><td> </td><td>3/3</td></tr></table>		1/1	1/2			1/2	3/4		3/3	<table border="1" style="width: 100%; height: 40px;"><tr><td> </td><td> </td><td> </td></tr><tr><td> </td><td> </td><td> </td></tr><tr><td>1/1</td><td> </td><td>1/1</td></tr></table>							1/1		1/1
1/1																																																																					
0/1		1/2																																																																			
	1/1																																																																				
1/1																																																																					
0/1																																																																					
	1/1	1/2																																																																			
		1/2																																																																			
3/4		3/3																																																																			
1/1		1/1																																																																			
.Total		1miss		2post		1post																																																															

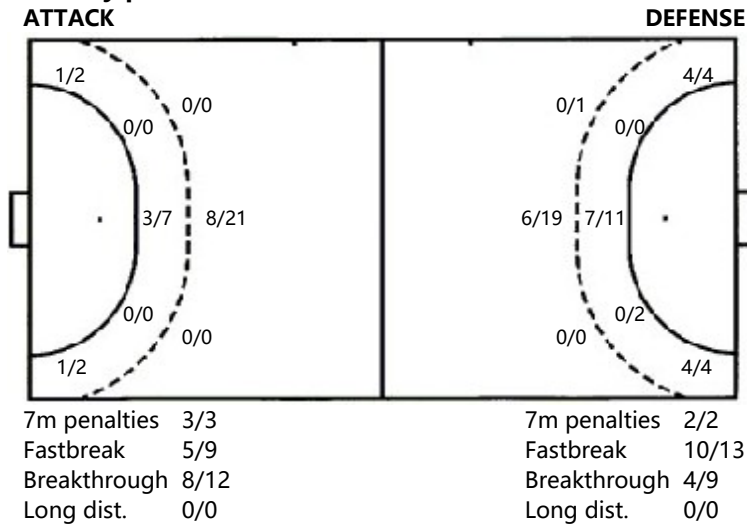
2/2	3/3	1/4
2/7	0/2	3/6
10/13	1/1	8/9

7post 2miss 3block

Saves distribution goalkeepers

1.张峥	12.周哲韬	.Total																											
<table border="1" style="width: 100%; height: 40px;"><tr><td> </td><td> </td><td> </td></tr><tr><td> </td><td> </td><td> </td></tr><tr><td> </td><td> </td><td> </td></tr></table>										<table border="1" style="width: 100%; height: 40px;"><tr><td>2/5</td><td>1/2</td><td>1/5</td></tr><tr><td>0/2</td><td>0/1</td><td>3/6</td></tr><tr><td>7/22</td><td>1/2</td><td>1/8</td></tr></table>	2/5	1/2	1/5	0/2	0/1	3/6	7/22	1/2	1/8	<table border="1" style="width: 100%; height: 40px;"><tr><td>2/5</td><td>1/2</td><td>1/5</td></tr><tr><td>0/2</td><td>0/1</td><td>3/6</td></tr><tr><td>7/22</td><td>1/2</td><td>1/8</td></tr></table>	2/5	1/2	1/5	0/2	0/1	3/6	7/22	1/2	1/8
2/5	1/2	1/5																											
0/2	0/1	3/6																											
7/22	1/2	1/8																											
2/5	1/2	1/5																											
0/2	0/1	3/6																											
7/22	1/2	1/8																											

Shots by position



Shooting statistics

Position	Goals	Save	Miss	Post	Blk	Total	%
Back (9m)	8	9	1		3	21	38
Line (6m)	3	2		2		7	43
Wing	3	2		1		6	50
7m penalties	3					3	100
Fastbreak	5	2		2		9	56
Breakthrough	8	2		2		12	67
Total	30	17	1	7	3	58	52

Jersey number **Tot.** Total shooting **6m** 6m shooting **9m** 9m shooting **Wing** Wing shooting **Fst** Fastbreak **7m** 7m Throw
Brk. Breakthrough **LD** Long distance shooting **As.** Assists **E7** Earned 7m **St.** Steals **2m** 2-minute suspension **C7.** Received 7m
D Disqualification **Dr** Disqualification+Report **FT** Free Throw **PC** Pass clear chance **OF** Offensiven Foul **TP** Time played **W** warning
Blk. Block

第十四届全运会男子手球资格赛暨2021年“体彩杯”全国男子手球冠杯赛

万州

Place 5-6

Match Team Statistics
Match NO.30

上海 35.5 - 44.0 广东
(19.5-20.5)(16.0-23.5)

2021-05-16 09:30
万州体育馆

Referees: 严璐(CHN) / 王亚光(CHN)

广东

Players		Goals/shots										Attack				Defense			Penalties			TP		
#	Surname and name	Tot.	%	9m	6m	Wing	7m	Fst.	Brk.	FT	LD	As.	PC	E7	OF	St.	C7	Blk	W	2m	D		Dr	
1	王帅																							11:35
4	李卓洋																							00:00
7	赵如隆	1/1	100			1/1							1									1		00:00
9	范保坤	3/3	100	1/1	1/1			1/1				1		2	1	1	1							17:58
10	周仲坤	4/7	57.14		1/2		2/2	1/1	0/2					1			1							30:00
11	房友屯	2/5	40	0/1	0/1			1/2	1/1					1										42:03
12	王雨	4/5	80			3/3			1/2				1		1									30:00
15	张建杰	2/5	40	1/4					1/1				1	1								1		02:08
17	李中洲	8/16	50	4/11	1/1			2/2	1/2			2		1		1	1							30:00
18	高玉杰													1										00:00
19	王泽润																							48:14
21	张昌轲	0/4		0/3				0/1																15:22
22	黄培杰	3/4	75		1/1	1/1		1/1	0/1				1	1										15:00
27	毕晓晨	6/7	85.71			3/3		3/4						1										26:48
77	付文博																							15:09
99	王伟	4/8	50		3/7			1/1																20:51
	Total	37/65	56.92	6/20	7/13	8/8	2/2	10/13	4/9			4	3	9	2	2	3					2		05:05:08

Goalkeepers		Saves / shots										TP
#	Surname and name	Tot.	%	9m	6m	Wing	7m	Fst.	Brk.	FT	LD	
1	王帅	3/12	25	2/4	0/1	1/2	0/3			0/2		11:35
19	王泽润	14/35	40	7/13	2/4	1/3		2/7	2/8			48:14
	Total	17/47	36.17	9/17	2/5	2/5	0/3	2/7	2/10			00:59:49

Jersey number **Tot.** Total shooting **6m** 6m shooting **9m** 9m shooting **Wing** Wing shooting **Fst** Fastbreak **7m** 7m Throw
Brk. Breakthrough **LD** Long distance shooting **As.** Assists **E7** Earned 7m **St.** Steals **2m** 2-minute suspension **C7.** Received 7m
D Disqualification **Dr** Disqualification+Report **FT** Free Throw **PC** Pass clear chance **OF** Offensiven Foul **TP** Time played **W** warning
Blk. Block

第十四届全运会男子手球资格赛暨2021年“体彩杯”全国男子手球冠杯赛

万州

Place 5-6

FTR
Match NO.30

上海 35.5 - 44.0 广东
(19.5-20.5)(16.0-23.5)

2021-05-16 09:30
万州体育馆

Referees: 严璐(CHN) / 王亚光(CHN)

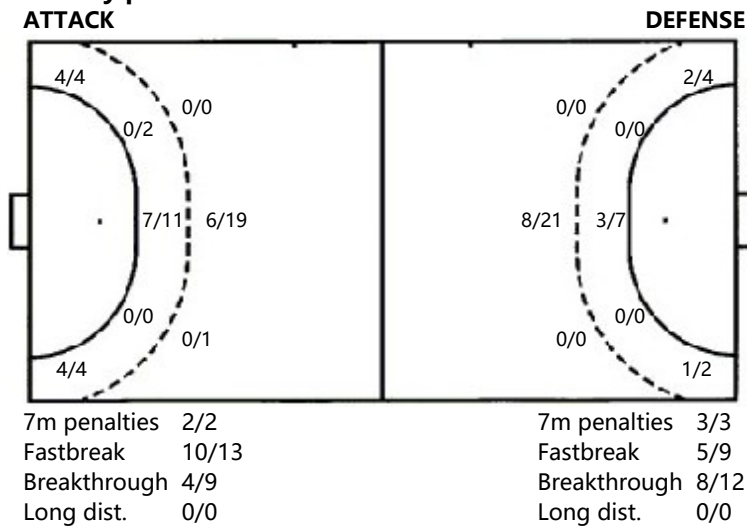
Shot distribution by player

1.王帅	4.李卓洋	7.赵如隆	9.范保坤	10.周仲坤	11.房友屯	12.王雨																																																															
<table border="1" style="width: 100%; height: 40px;"><tr><td> </td><td> </td><td> </td></tr><tr><td> </td><td> </td><td> </td></tr><tr><td> </td><td> </td><td> </td></tr></table>										<table border="1" style="width: 100%; height: 40px;"><tr><td> </td><td> </td><td> </td></tr><tr><td> </td><td> </td><td> </td></tr><tr><td> </td><td> </td><td> </td></tr></table>										<table border="1" style="width: 100%; height: 40px;"><tr><td> </td><td> </td><td> </td></tr><tr><td> </td><td> </td><td> </td></tr><tr><td>1/1</td><td> </td><td> </td></tr></table>							1/1			<table border="1" style="width: 100%; height: 40px;"><tr><td> </td><td> </td><td> </td></tr><tr><td> </td><td> </td><td> </td></tr><tr><td>1/1</td><td> </td><td>2/2</td></tr></table>							1/1		2/2	<table border="1" style="width: 100%; height: 40px;"><tr><td>2/2</td><td> </td><td> </td></tr><tr><td> </td><td>1/1</td><td>0/1</td></tr><tr><td>1/2</td><td> </td><td> </td></tr></table>	2/2				1/1	0/1	1/2			<table border="1" style="width: 100%; height: 40px;"><tr><td>0/2</td><td> </td><td> </td></tr><tr><td> </td><td> </td><td>1/1</td></tr><tr><td> </td><td> </td><td>1/1</td></tr></table>	0/2					1/1			1/1	<table border="1" style="width: 100%; height: 40px;"><tr><td> </td><td> </td><td> </td></tr><tr><td> </td><td> </td><td> </td></tr><tr><td>3/4</td><td>1/1</td><td> </td></tr></table>							3/4	1/1	
1/1																																																																					
1/1		2/2																																																																			
2/2																																																																					
	1/1	0/1																																																																			
1/2																																																																					
0/2																																																																					
		1/1																																																																			
		1/1																																																																			
3/4	1/1																																																																				
15.张建杰	17.李中洲	18.高玉杰	19.王泽润	21.张昌轲	22.黄培杰	27.毕晓晨																																																															
<table border="1" style="width: 100%; height: 40px;"><tr><td> </td><td> </td><td> </td></tr><tr><td>1/1</td><td> </td><td> </td></tr><tr><td>1/1</td><td> </td><td> </td></tr></table>				1/1			1/1			<table border="1" style="width: 100%; height: 40px;"><tr><td> </td><td> </td><td>4/5</td></tr><tr><td>1/1</td><td> </td><td>2/3</td></tr><tr><td>1/2</td><td>0/1</td><td> </td></tr></table>			4/5	1/1		2/3	1/2	0/1		<table border="1" style="width: 100%; height: 40px;"><tr><td> </td><td> </td><td> </td></tr><tr><td> </td><td> </td><td> </td></tr><tr><td> </td><td> </td><td> </td></tr></table>										<table border="1" style="width: 100%; height: 40px;"><tr><td> </td><td> </td><td> </td></tr><tr><td> </td><td> </td><td> </td></tr><tr><td> </td><td> </td><td> </td></tr></table>										<table border="1" style="width: 100%; height: 40px;"><tr><td> </td><td> </td><td> </td></tr><tr><td> </td><td> </td><td> </td></tr><tr><td>0/2</td><td> </td><td>0/1</td></tr></table>							0/2		0/1	<table border="1" style="width: 100%; height: 40px;"><tr><td> </td><td> </td><td> </td></tr><tr><td>1/1</td><td> </td><td> </td></tr><tr><td> </td><td> </td><td>0/1</td></tr></table>				1/1					0/1	<table border="1" style="width: 100%; height: 40px;"><tr><td> </td><td> </td><td>0/1</td></tr><tr><td> </td><td> </td><td> </td></tr><tr><td>4/4</td><td> </td><td>2/2</td></tr></table>			0/1				4/4		2/2
1/1																																																																					
1/1																																																																					
		4/5																																																																			
1/1		2/3																																																																			
1/2	0/1																																																																				
0/2		0/1																																																																			
1/1																																																																					
		0/1																																																																			
		0/1																																																																			
4/4		2/2																																																																			
77.付云博	99.王伟	.Total																																																																			
<table border="1" style="width: 100%; height: 40px;"><tr><td> </td><td> </td><td> </td></tr><tr><td> </td><td> </td><td> </td></tr><tr><td> </td><td> </td><td> </td></tr></table>										<table border="1" style="width: 100%; height: 40px;"><tr><td> </td><td>1/1</td><td> </td></tr><tr><td> </td><td> </td><td> </td></tr><tr><td>1/3</td><td> </td><td>2/2</td></tr></table>		1/1					1/3		2/2	<table border="1" style="width: 100%; height: 40px;"><tr><td>3/5</td><td>1/2</td><td>4/5</td></tr><tr><td>2/2</td><td>1/1</td><td>3/6</td></tr><tr><td>15/22</td><td>1/2</td><td>7/8</td></tr></table>				3/5	1/2	4/5	2/2	1/1	3/6	15/22	1/2	7/8																																					
	1/1																																																																				
1/3		2/2																																																																			
3/5	1/2	4/5																																																																			
2/2	1/1	3/6																																																																			
15/22	1/2	7/8																																																																			
	1post 1miss	3post 4miss 5block																																																																			

Saves distribution goalkeepers

1.王帅	19.王泽润	.Total																											
<table border="1" style="width: 100%; height: 40px;"><tr><td>0/2</td><td> </td><td>1/1</td></tr><tr><td> </td><td>1/1</td><td> </td></tr><tr><td>1/5</td><td> </td><td>0/3</td></tr></table>	0/2		1/1		1/1		1/5		0/3	<table border="1" style="width: 100%; height: 40px;"><tr><td> </td><td>0/3</td><td>2/3</td></tr><tr><td>5/7</td><td>1/1</td><td>3/6</td></tr><tr><td>2/8</td><td>0/1</td><td>1/6</td></tr></table>		0/3	2/3	5/7	1/1	3/6	2/8	0/1	1/6	<table border="1" style="width: 100%; height: 40px;"><tr><td>0/2</td><td>0/3</td><td>3/4</td></tr><tr><td>5/7</td><td>2/2</td><td>3/6</td></tr><tr><td>3/13</td><td>0/1</td><td>1/9</td></tr></table>	0/2	0/3	3/4	5/7	2/2	3/6	3/13	0/1	1/9
0/2		1/1																											
	1/1																												
1/5		0/3																											
	0/3	2/3																											
5/7	1/1	3/6																											
2/8	0/1	1/6																											
0/2	0/3	3/4																											
5/7	2/2	3/6																											
3/13	0/1	1/9																											

Shots by position



Shooting statistics

Position	Goals	Save	Miss	Post	Blk	Total	%
Back (9m)	6	5	2	2	5	20	30
Line (6m)	7	4	1	1		13	54
Wing	8					8	100
7m penalties	2					2	100
Fastbreak	10	3				13	77
Breakthrough	4	4	1			9	44
Total	37	16	4	3	5	65	57

Jersey number **Tot.** Total shooting **6m** 6m shooting **9m** 9m shooting **Wing** Wing shooting **Fst** Fastbreak **7m** 7m Throw
Brk. Breakthrough **LD** Long distance shooting **As.** Assists **E7** Earned 7m **St.** Steals **2m** 2-minute suspension **C7.** Received 7m
D Disqualification **Dr** Disqualification+Report **FT** Free Throw **PC** Pass clear chance **OF** Offensiven Foul **TP** Time played **W** warning
Blk. Block