

# 第十四届全运会男子手球资格赛暨2021年“体彩杯”全国男子手球冠军杯赛

万州

Preliminary

FTR  
Match NO.19

**广东 33.0 - 29.5 上海**  
(16.0-11.0)(17.0-18.5)

2021-05-12 16:00  
万州体育馆

Referees: 徐健(CHN) / 周云磊(CHN)

## 广东

#	Surname and name	Goals/shots										Attack				Defense			Penalties			TP		
		Tot.	%	9m	6m	Wing	7m	Fst.	Brk.	FT	LD	As.	PC	E7	OF	St.	C7	Blk	W	2m	D		Dr	
1	王帅																							25:35
4	李卓洋	2/7	28.57	2/5				0/1		0/1		1		1	1									16:36
7	赵如隆																							00:00
9	范保坤																							00:00
10	周仲坤	2/4	50	0/1	1/1			0/1	1/1						1	1	1	1						32:03
11	房友屯														1						1			21:14
12	王雨																							00:00
15	张建杰	2/3	66.67	1/2					1/1						1			1	1	1				45:06
17	李中洲	10/11	90.91		1/1		4/4	3/3	2/3					3	3		2		1	2				55:09
18	高玉杰	0/1	0						0/1															00:00
19	王泽润																							04:18
21	张昌轲	2/4	50		1/2	0/1		1/1							1									21:56
22	黄培杰	1/2	50			1/1		0/1				1												38:02
27	毕晓晨	5/8	62.5			4/4		1/4							1									41:59
77	付云博	4/8	50	0/2			1/2	1/2	2/2			1			2		2							32:12
99	王伟	1/2	50		1/2										1	2	1				1			45:43
	Total	29/50	58	3/10	4/6	5/6	5/6	6/13	6/8	0/1		3		4	13	3	6	2	2	5				06:19:53

Goalkeepers		Saves / shots											TP
#	Surname and name	Tot.	%	9m	6m	Wing	7m	Fst.	Brk.	FT	LD		
1	王帅	13/36	36.11	6/9	1/5	0/3	1/4	4/9	1/5		0/1	25:35	
19	王泽润	0/2		0/1				0/1				04:18	
	Total	13/38	34.21	6/10	1/5	0/3	1/4	4/10	1/5		0/1	00:29:53	

# Jersey number Tot. Total shooting 6m 6m shooting 9m 9m shooting Wing Wing shooting Fst Fastbreak 7m 7m Throw  
 Brk. Breakthrough LD Long distance shooting As. Assists E7 Earned 7m St. Steals 2m 2-minute suspension C7. Received 7m  
 D Disqualification Dr Disqualification+Report FT Free Throw PC Pass clear chance OF Offensiven Foul TP Time played W warning  
 Blk. Block

# 第十四届全运会男子手球资格赛暨2021年“体彩杯”全国男子手球冠军杯赛

万州  
Preliminary

Match Team Statistics  
Match NO.19

**广东 33.0 - 29.5 上海**  
(16.0-11.0)(17.0-18.5)

2021-05-12 16:00  
万州体育馆

Referees: 徐健(CHN) / 周云磊(CHN)

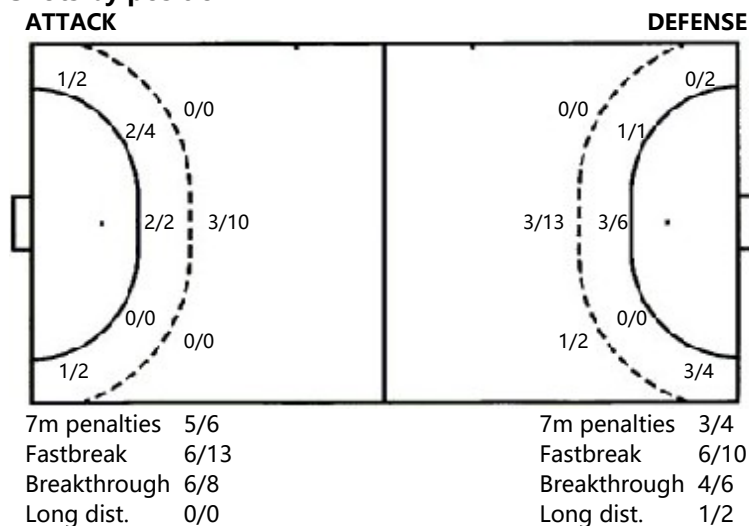
## Shot distribution by player

1.王帅	4.李卓洋	7.赵如隆	9.范保坤	10.周仲坤	11.房友屯	12.王雨																																																															
<table border="1" style="width: 100%; height: 40px;"><tr><td></td><td></td><td></td></tr><tr><td></td><td></td><td></td></tr><tr><td></td><td></td><td></td></tr></table>										<table border="1" style="width: 100%; height: 40px;"><tr><td></td><td></td><td>1/2</td></tr><tr><td>0/1</td><td></td><td>1/2</td></tr><tr><td></td><td></td><td></td></tr></table>			1/2	0/1		1/2				<table border="1" style="width: 100%; height: 40px;"><tr><td></td><td></td><td></td></tr><tr><td></td><td></td><td></td></tr><tr><td></td><td></td><td></td></tr></table>										<table border="1" style="width: 100%; height: 40px;"><tr><td></td><td></td><td></td></tr><tr><td></td><td></td><td></td></tr><tr><td></td><td></td><td></td></tr></table>										<table border="1" style="width: 100%; height: 40px;"><tr><td>0/1</td><td></td><td></td></tr><tr><td></td><td></td><td>1/1</td></tr><tr><td></td><td></td><td>1/1</td></tr></table>	0/1					1/1			1/1	<table border="1" style="width: 100%; height: 40px;"><tr><td></td><td></td><td></td></tr><tr><td></td><td></td><td></td></tr><tr><td></td><td></td><td></td></tr></table>										<table border="1" style="width: 100%; height: 40px;"><tr><td></td><td></td><td></td></tr><tr><td></td><td></td><td></td></tr><tr><td></td><td></td><td></td></tr></table>									
		1/2																																																																			
0/1		1/2																																																																			
0/1																																																																					
		1/1																																																																			
		1/1																																																																			
15.张建杰	17.李中洲 <small>1miss 1block</small>	18.高玉杰	19.王泽润	21.张昌轲	22.黄培杰	27.毕晓晨																																																															
<table border="1" style="width: 100%; height: 40px;"><tr><td></td><td></td><td></td></tr><tr><td>1/1</td><td></td><td>1/1</td></tr><tr><td></td><td></td><td></td></tr></table>				1/1		1/1				<table border="1" style="width: 100%; height: 40px;"><tr><td></td><td></td><td></td></tr><tr><td>0/1</td><td></td><td>2/2</td></tr><tr><td>4/4</td><td></td><td>4/4</td></tr></table>				0/1		2/2	4/4		4/4	<table border="1" style="width: 100%; height: 40px;"><tr><td></td><td></td><td></td></tr><tr><td>0/1</td><td></td><td></td></tr><tr><td></td><td></td><td></td></tr></table>				0/1						<table border="1" style="width: 100%; height: 40px;"><tr><td></td><td></td><td></td></tr><tr><td></td><td></td><td></td></tr><tr><td></td><td></td><td></td></tr></table>										<table border="1" style="width: 100%; height: 40px;"><tr><td></td><td></td><td>0/1</td></tr><tr><td></td><td></td><td></td></tr><tr><td></td><td>1/1</td><td>1/1</td></tr></table>			0/1					1/1	1/1	<table border="1" style="width: 100%; height: 40px;"><tr><td></td><td></td><td>1/1</td></tr><tr><td>0/1</td><td></td><td></td></tr><tr><td></td><td></td><td></td></tr></table>			1/1	0/1						<table border="1" style="width: 100%; height: 40px;"><tr><td>1/1</td><td>0/1</td><td>1/1</td></tr><tr><td>1/1</td><td></td><td></td></tr><tr><td>2/2</td><td></td><td></td></tr></table>	1/1	0/1	1/1	1/1			2/2		
1/1		1/1																																																																			
0/1		2/2																																																																			
4/4		4/4																																																																			
0/1																																																																					
		0/1																																																																			
	1/1	1/1																																																																			
		1/1																																																																			
0/1																																																																					
1/1	0/1	1/1																																																																			
1/1																																																																					
2/2																																																																					
77.付云博 <small>1miss</small>	99.王伟	.Total		1post		2miss																																																															
<table border="1" style="width: 100%; height: 40px;"><tr><td></td><td></td><td>0/1</td></tr><tr><td>1/1</td><td></td><td>1/4</td></tr><tr><td>1/1</td><td></td><td>1/1</td></tr></table>			0/1	1/1		1/4	1/1		1/1	<table border="1" style="width: 100%; height: 40px;"><tr><td></td><td></td><td></td></tr><tr><td></td><td></td><td></td></tr><tr><td>1/1</td><td></td><td></td></tr></table>							1/1			<table border="1" style="width: 100%; height: 40px;"><tr><td>1/2</td><td>0/1</td><td>3/6</td></tr><tr><td>3/7</td><td></td><td>6/10</td></tr><tr><td>8/8</td><td>1/1</td><td>7/7</td></tr></table>	1/2	0/1	3/6	3/7		6/10	8/8	1/1	7/7																																								
		0/1																																																																			
1/1		1/4																																																																			
1/1		1/1																																																																			
1/1																																																																					
1/2	0/1	3/6																																																																			
3/7		6/10																																																																			
8/8	1/1	7/7																																																																			

## Saves distribution goalkeepers

1.王帅	19.王泽润	.Total																											
<table border="1" style="width: 100%; height: 40px;"><tr><td>1/8</td><td></td><td>2/5</td></tr><tr><td>2/7</td><td>1/1</td><td>3/3</td></tr><tr><td>2/6</td><td>1/2</td><td>1/4</td></tr></table>	1/8		2/5	2/7	1/1	3/3	2/6	1/2	1/4	<table border="1" style="width: 100%; height: 40px;"><tr><td>0/1</td><td></td><td>0/1</td></tr><tr><td></td><td></td><td></td></tr><tr><td></td><td></td><td></td></tr></table>	0/1		0/1							<table border="1" style="width: 100%; height: 40px;"><tr><td>1/9</td><td></td><td>2/6</td></tr><tr><td>2/7</td><td>1/1</td><td>3/3</td></tr><tr><td>2/6</td><td>1/2</td><td>1/4</td></tr></table>	1/9		2/6	2/7	1/1	3/3	2/6	1/2	1/4
1/8		2/5																											
2/7	1/1	3/3																											
2/6	1/2	1/4																											
0/1		0/1																											
1/9		2/6																											
2/7	1/1	3/3																											
2/6	1/2	1/4																											

## Shots by position



## Shooting statistics

Position	Goals	Save	Miss	Post	Blk	Total	%
Back (9m)	3	4	1		2	10	30
Line (6m)	4	1	1			6	67
Wing	5			1		6	83
7m penalties	5	1				6	83
Fastbreak	6	5	2			13	46
Breakthrough	6	2				8	75
<b>Total</b>	<b>29</b>	<b>13</b>	<b>4</b>	<b>1</b>	<b>2</b>	<b>49</b>	<b>59</b>

# Jersey number **Tot.** Total shooting **6m** 6m shooting **9m** 9m shooting **Wing** Wing shooting **Fst** Fastbreak **7m** 7m Throw  
**Brk.** Breakthrough **LD** Long distance shooting **As.** Assists **E7** Earned 7m **St.** Steals **2m** 2-minute suspension **C7.** Received 7m  
**D** Disqualification **Dr** Disqualification+Report **FT** Free Throw **PC** Pass clear chance **OF** Offensiven Foul **TP** Time played **W** warning  
**Blk.** Block

# 第十四届全运会男子手球资格赛暨2021年“体彩杯”全国男子手球冠杯赛

万州  
Preliminary

Match Team Statistics  
Match NO.19

**广东 33.0 - 29.5 上海**  
(16.0-11.0)(17.0-18.5)

2021-05-12 16:00  
万州体育馆

Referees: 徐健(CHN) / 周云磊(CHN)

## 上海

Players		Goals/shots										Attack				Defense			Penalties			TP		
#	Surname and name	Tot.	%	9m	6m	Wing	7m	Fst.	Brk.	FT	LD	As.	PC	E7	OF	St.	C7	Blk	W	2m	D		Dr	
1	张崢																							01:10
2	陆骏杰																							00:00
4	吴泽远																							00:00
5	贺政	6/10	60	1/4			1/1	1/1	2/3		1/1	1		2	1		1	1				1		59:46
6	周倍仕																							00:00
7	张立成	2/3	66.67	1/1	1/1				0/1															11:40
8	高震东	1/3	33.33		0/2			1/1								3		1					1	39:25
9	刘子杰																							00:00
10	朱世杰	2/9	22.22	0/5	0/1		1/1		1/1		0/1	null		1	6									60:00
11	蒋慧捷																							00:00
12	周哲韬																							56:40
13	谢智超	2/3	66.67			0/1		2/2																07:10
14	沈吉磊	3/7	42.86	2/5			1/2							1	1		1							30:00
15	庄旭杰	5/8	62.5			3/4		2/4							3		1							60:00
17	余华龙	1/2	50		1/1			0/1						2	4			1				2		38:52
18	吴双	3/5	60		2/2	0/1		0/1	1/1														1	52:49
	Total	25/50	50	4/15	4/7	3/6	3/4	6/10	4/6		1/2	2		6	18		4	2				5		06:57:32

Goalkeepers		Saves / shots										TP
#	Surname and name	Tot.	%	9m	6m	Wing	7m	Fst.	Brk.	FT	LD	
1	张崢	1/4	25				1/4					01:10
12	周哲韬	12/38	31.58	4/7	1/5	0/5	0/2	5/11	2/8			56:40
	Total	13/42	30.95	4/7	1/5	0/5	1/6	5/11	2/8			00:57:50

# Jersey number    Tot. Total shooting    6m 6m shooting    9m 9m shooting    Wing Wing shooting    Fst Fastbreak    7m 7m Throw  
 Brk. Breakthrough    LD Long distance shooting    As. Assists    E7 Earned 7m    St. Steals    2m 2-minute suspension    C7. Received 7m  
 D Disqualification    Dr Disqualification+Report    FT Free Throw    PC Pass clear chance    OF Offensiven Foul    TP Time played    W warning  
 Blk. Block

# 第十四届全运会男子手球资格赛暨2021年“体彩杯”全国男子手球冠军杯赛

万州  
Preliminary

FTR  
Match NO.19

**广东 33.0 - 29.5 上海**  
(16.0-11.0)(17.0-18.5)

2021-05-12 16:00  
万州体育馆

Referees: 徐健(CHN) / 周云磊(CHN)

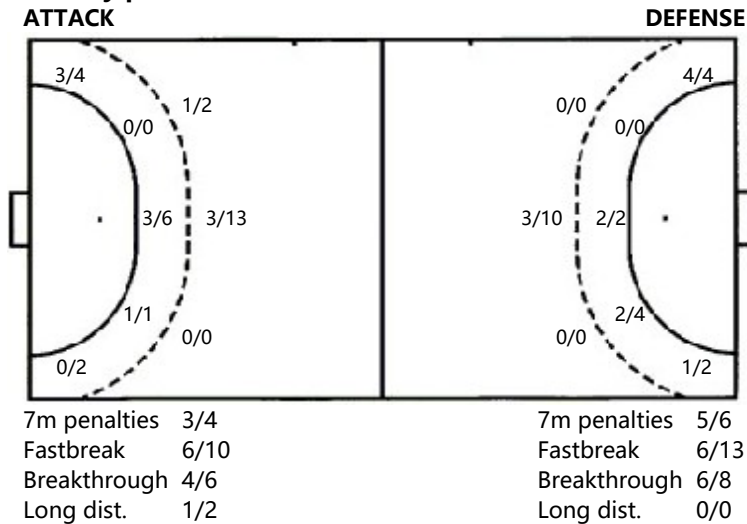
## Shot distribution by player

1.张峥	2.陆骏杰	4.吴泽远	5.贺政	6.周倍仕	7.张立成	8.高震东																																																															
<table border="1" style="width: 100%; height: 50px;"><tr><td> </td><td> </td><td> </td></tr><tr><td> </td><td> </td><td> </td></tr><tr><td> </td><td> </td><td> </td></tr></table>										<table border="1" style="width: 100%; height: 50px;"><tr><td> </td><td> </td><td> </td></tr><tr><td> </td><td> </td><td> </td></tr><tr><td> </td><td> </td><td> </td></tr></table>										<table border="1" style="width: 100%; height: 50px;"><tr><td> </td><td> </td><td> </td></tr><tr><td> </td><td> </td><td> </td></tr><tr><td> </td><td> </td><td> </td></tr></table>										<table border="1" style="width: 100%; height: 50px;"><tr><td>1/1</td><td> </td><td>1/2</td></tr><tr><td>2/3</td><td> </td><td> </td></tr><tr><td>1/2</td><td>1/1</td><td> </td></tr></table>	1/1		1/2	2/3			1/2	1/1		<table border="1" style="width: 100%; height: 50px;"><tr><td> </td><td> </td><td> </td></tr><tr><td> </td><td> </td><td> </td></tr><tr><td> </td><td> </td><td> </td></tr></table>										<table border="1" style="width: 100%; height: 50px;"><tr><td> </td><td> </td><td>1/1</td></tr><tr><td>1/1</td><td> </td><td> </td></tr><tr><td> </td><td> </td><td> </td></tr></table>			1/1	1/1						<table border="1" style="width: 100%; height: 50px;"><tr><td> </td><td> </td><td>0/1</td></tr><tr><td> </td><td> </td><td> </td></tr><tr><td> </td><td> </td><td>1/1</td></tr></table>			0/1						1/1
1/1		1/2																																																																			
2/3																																																																					
1/2	1/1																																																																				
		1/1																																																																			
1/1																																																																					
		0/1																																																																			
		1/1																																																																			
9.刘子杰	10.朱世杰	11.蒋慧捷	12.周哲韬	13.谢智超	14.沈吉磊	15.庄旭杰																																																															
<table border="1" style="width: 100%; height: 50px;"><tr><td> </td><td> </td><td> </td></tr><tr><td> </td><td> </td><td> </td></tr><tr><td> </td><td> </td><td> </td></tr></table>										<table border="1" style="width: 100%; height: 50px;"><tr><td>2/2</td><td> </td><td> </td></tr><tr><td>0/1</td><td>0/1</td><td> </td></tr><tr><td>0/1</td><td> </td><td> </td></tr></table>	2/2			0/1	0/1		0/1			<table border="1" style="width: 100%; height: 50px;"><tr><td> </td><td> </td><td> </td></tr><tr><td> </td><td> </td><td> </td></tr><tr><td> </td><td> </td><td> </td></tr></table>										<table border="1" style="width: 100%; height: 50px;"><tr><td> </td><td> </td><td> </td></tr><tr><td> </td><td> </td><td> </td></tr><tr><td> </td><td> </td><td> </td></tr></table>										<table border="1" style="width: 100%; height: 50px;"><tr><td>2/2</td><td> </td><td> </td></tr><tr><td> </td><td> </td><td> </td></tr><tr><td> </td><td> </td><td> </td></tr></table>	2/2									<table border="1" style="width: 100%; height: 50px;"><tr><td> </td><td> </td><td> </td></tr><tr><td>1/1</td><td> </td><td>0/1</td></tr><tr><td>1/1</td><td> </td><td>1/2</td></tr></table>				1/1		0/1	1/1		1/2	<table border="1" style="width: 100%; height: 50px;"><tr><td>3/4</td><td> </td><td>1/1</td></tr><tr><td> </td><td> </td><td>0/1</td></tr><tr><td> </td><td> </td><td>1/1</td></tr></table>	3/4		1/1			0/1			1/1
2/2																																																																					
0/1	0/1																																																																				
0/1																																																																					
2/2																																																																					
1/1		0/1																																																																			
1/1		1/2																																																																			
3/4		1/1																																																																			
		0/1																																																																			
		1/1																																																																			
17.余华龙	18.吴双	.Total		1miss	1miss 1block	1miss																																																															
<table border="1" style="width: 100%; height: 50px;"><tr><td> </td><td> </td><td>1/1</td></tr><tr><td> </td><td> </td><td> </td></tr><tr><td>0/1</td><td> </td><td> </td></tr></table>			1/1				0/1			<table border="1" style="width: 100%; height: 50px;"><tr><td> </td><td> </td><td> </td></tr><tr><td>1/1</td><td> </td><td>0/1</td></tr><tr><td>2/2</td><td> </td><td> </td></tr></table>				1/1		0/1	2/2			<table border="1" style="width: 100%; height: 50px;"><tr><td>8/9</td><td> </td><td>4/6</td></tr><tr><td>5/7</td><td>0/1</td><td>0/3</td></tr><tr><td>4/6</td><td>1/2</td><td>3/4</td></tr></table>		8/9		4/6	5/7	0/1	0/3	4/6	1/2	3/4	1post	4post 6miss 2block																																					
		1/1																																																																			
0/1																																																																					
1/1		0/1																																																																			
2/2																																																																					
8/9		4/6																																																																			
5/7	0/1	0/3																																																																			
4/6	1/2	3/4																																																																			

## Saves distribution goalkeepers

1.张峥	12.周哲韬	.Total																											
<table border="1" style="width: 100%; height: 50px;"><tr><td> </td><td> </td><td>1/1</td></tr><tr><td> </td><td> </td><td>0/1</td></tr><tr><td>0/1</td><td> </td><td>0/1</td></tr></table>			1/1			0/1	0/1		0/1	<table border="1" style="width: 100%; height: 50px;"><tr><td>1/2</td><td>1/1</td><td>2/5</td></tr><tr><td>4/7</td><td> </td><td>4/9</td></tr><tr><td>0/7</td><td>0/1</td><td>0/6</td></tr></table>	1/2	1/1	2/5	4/7		4/9	0/7	0/1	0/6	<table border="1" style="width: 100%; height: 50px;"><tr><td>1/2</td><td>1/1</td><td>3/6</td></tr><tr><td>4/7</td><td> </td><td>4/10</td></tr><tr><td>0/8</td><td>0/1</td><td>0/7</td></tr></table>	1/2	1/1	3/6	4/7		4/10	0/8	0/1	0/7
		1/1																											
		0/1																											
0/1		0/1																											
1/2	1/1	2/5																											
4/7		4/9																											
0/7	0/1	0/6																											
1/2	1/1	3/6																											
4/7		4/10																											
0/8	0/1	0/7																											

## Shots by position



## Shooting statistics

Position	Goals	Save	Miss	Post	Blk	Total	%
Back (9m)	4	6	1	2	2	15	27
Line (6m)	4	1	2			7	57
Wing	3		2	1		6	50
7m penalties	3	1				4	75
Fastbreak	6	4				10	60
Breakthrough	4	1		1		6	67
<b>Total</b>	<b>24</b>	<b>13</b>	<b>5</b>	<b>4</b>	<b>2</b>	<b>48</b>	<b>50</b>

# Jersey number    **Tot.** Total shooting    **6m** 6m shooting    **9m** 9m shooting    **Wing** Wing shooting    **Fst** Fastbreak    **7m** 7m Throw  
**Brk.** Breakthrough    **LD** Long distance shooting    **As.** Assists    **E7** Earned 7m    **St.** Steals    **2m** 2-minute suspension    **C7.** Received 7m  
**D** Disqualification    **Dr** Disqualification+Report    **FT** Free Throw    **PC** Pass clear chance    **OF** Offensiven Foul    **TP** Time played    **W** warning  
**Blk.** Block