

# 2020中国男子手球超级联赛

## 广东江门

### Final

FTR  
Match NO.22

**太平洋保险江苏男子手球俱乐部 36.5 - 26.0 华体国奥男子手球俱乐部**  
(21.5-13.0)(15.0-13.0)

2020-12-30 17:30  
广东江门体育中心体育馆

Referees: 王科(CHN) / 李兆蒙(CHN)

### 太平洋保险江苏男子手球俱乐部

Players		Goals/shots										Attack				Defense			Penalties			TP		
#	Surname and name	Tot.	%	9m	6m	Wing	7m	Fst.	Brk.	FT	LD	As.	PC	E7	OF	St.	C7	Blk	W	2m	D		Dr	
1	赵楠	5/10	50	0/2	0/2			1/1	4/4		0/1	1		1	1									29:52
2	周傲	3/5	60	0/2				2/2	1/1			3	1		1	1								01:45
3	罗尧尧																							00:00
4	张帅																							00:00
5	刘江	1/2	50		0/1			1/1										1						08:40
6	王杰缘	3/5	60			2/3	1/1	0/1						2		1								01:43
7	王伟强	8/11	72.73		1/1	2/4		5/5	0/1						1									01:47
9	赵晨	5/6	83.33	0/1	2/2					3/3		2	2	1		1	1	4	1					21:50
10	张家纬																							00:15
11	顾艳超	3/9	33.33	3/7	0/1			0/1					1		5	1								27:47
12	邢洪铭	1/1	100						1/1						1									00:00
13	季雨																							00:00
14	马益奎	2/3	66.67		2/3									1	1				1					07:23
16	陈昊																							00:00
19	张天豪																							00:00
21	王凯强											3			1									02:27
	Total	31/52	59.62	3/12	5/10	4/7	1/1	9/11	6/7	3/3	0/1	9	4	5	11	4	1	5	2					

Goalkeepers		Saves / shots										TP
#	Surname and name	Tot.	%	9m	6m	Wing	7m	Fst.	Brk.	FT	LD	
4	张帅	17/39	43.59	9/15	3/8	1/1	0/4	2/6	2/4	0/1		00:00
16	陈昊											00:00
	Total	17/39	43.59	9/15	3/8	1/1	0/4	2/6	2/4	0/1		

# Jersey number    Tot. Total shooting    6m 6m shooting    9m 9m shooting    Wing Wing shooting    Fst Fastbreak    7m 7m Throw  
 Brk. Breakthrough    LD Long distance shooting    As. Assists    E7 Earned 7m    St. Steals    2m 2-minute suspension    C7. Received 7m  
 D Disqualification    Dr Disqualification+Report    FT Free Throw    PC Pass clear chance    OF Offensiven Foul    TP Time played    W warning  
 Blk. Block

# 2020中国男子手球超级联赛

广东江门

Final

Match Team Statistics **太平洋保险江苏男子手球俱乐部 36.5 - 26.0 华体国奥男子手球俱乐部**  
Match NO.22 (21.5-13.0)(15.0-13.0)

2020-12-30 17:30  
广东江门体育中心体育馆

Referees: 王科(CHN) / 李兆蒙(CHN)

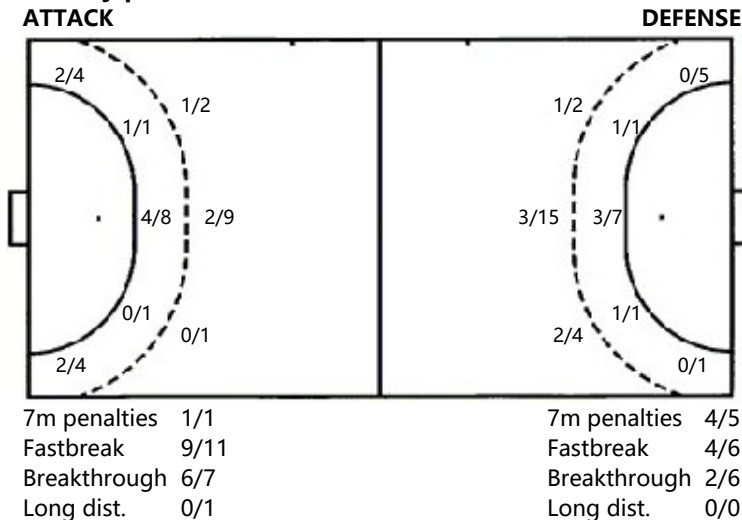
## Shot distribution by player

1.赵楠	2.周傲	3.罗尧尧	4.张帅	5.刘江	6.王杰缘	7.王伟强
0/2 1/1 3/3	1/1 2/3			1/1	1/2 0/1 1/1 1/1	0/1 0/1 6/6 0/1 1/1
1post 2block						
9.赵晨	10.张家伟	11.顾艳超	12.邢洪铭	13.季雨	14.马益奎	16.陈昊
2/2		0/1 0/1 3/3	1/1		1/1 0/1 1/1	
		1post 2miss 1block				
19.张天豪	21.王凯强	.Total				
		0/3 1/4 16/18 1/2 9/10				
		3post 2miss 4block				

## Saves distribution goalkeepers

4.张帅	16.陈昊	.Total
0/1 2/4 7/14	0/1 2/2 1/1	0/2 2/3 3/11

## Shots by position



## Shooting statistics

Position	Goals	Save	Miss	Post	Blk	Total	%
Back (9m)	3	3	2	2	2	12	25
Line (6m)	5	3		1	1	10	50
Wing	4	3				7	57.00000000000001
7m penalties	1					1	100
Fastbreak	9	2				11	82
Breakthrough	6	1				7	86
<b>Total</b>	<b>28</b>	<b>12</b>	<b>2</b>	<b>3</b>	<b>3</b>	<b>48</b>	<b>57.99999999999999</b>

# Jersey number Tot. Total shooting 6m 6m shooting 9m 9m shooting Wing Wing shooting Fst Fastbreak 7m 7m Throw  
Brk. Breakthrough LD Long distance shooting As. Assists E7 Earned 7m St. Steals 2m 2-minute suspension C7. Received 7m  
D. Disqualification Dr Disqualification+Report FT Free Throw PC Pass clear chance OF Offensiven Foul TP Time played W warning  
Blk. Block

# 2020中国男子手球超级联赛

广东江门

Final

Match Team Statistics **太平洋保险江苏男子手球俱乐部 36.5 - 26.0 华体国奥男子手球俱乐部**  
Match NO.22 (21.5-13.0)(15.0-13.0)

2020-12-30 17:30  
广东江门体育中心体育

Referees: 王科(CHN) / 李兆蒙(CHN)

## 华体国奥男子手球俱乐部

Players		Goals/shots										Attack				Defense			Penalties			TP		
#	Surname and name	Tot.	%	9m	6m	Wing	7m	Fst.	Brk.	FT	LD	As.	PC	E7	OF	St.	C7	Blk	W	2m	D		Dr	
1	王帅														1									00:00
5	王晓峰																							00:00
7	赵文宣																							00:07
8	谢庆龙																							16:25
9	赵元	1/2	50	1/1				0/1							1									08:55
10	朱世杰	5/9	55.56	1/3	2/3		1/1		0/1	1/1				4	1	1								41:35
12	王权																							00:00
17	胡晋铭	1/1	100		1/1									2	1	2	1							13:30
18	李双	3/11	27.27	2/6	0/1	0/1			1/3					1							1			41:23
19	刘赵梁	0/1				0/1																		14:35
21	金永峰	0/1		0/1																				01:12
22	黄培杰	3/7	42.86	0/1	1/2	0/1	2/3											1						29:48
28	何喜年																							23:59
65	王鹏皓	4/10	40	0/1	1/2	0/3		3/4																14:59
88	王军程	4/7	57.14	1/3			1/1	1/1	1/2					1		1								08:13
97	张建杰	1/5	20	1/5													2	2			1			30:53
	Total	22/54	40.74	6/21	5/9	0/6	4/5	4/6	2/6	1/1				1	9	3	5	4			2			

Goalkeepers		Saves / shots											TP
#	Surname and name	Tot.	%	9m	6m	Wing	7m	Fst	Brk.	FT	LD		
1	王帅	1/4	25	1/1		0/1	0/1	0/1				00:00	
12	王权											00:00	
28	何喜年	11/39	28.21	2/5	3/8	3/6		2/10	1/7	0/3		23:59	
	Total	12/43	27.91	3/6	3/8	3/7	0/1	2/11	1/7	0/3			

# Jersey number Tot. Total shooting 6m 6m shooting 9m 9m shooting Wing Wing shooting Fst Fastbreak 7m 7m Throw  
 Brk. Breakthrough LD Long distance shooting As. Assists E7 Earned 7m St. Steals 2m 2-minute suspension C7. Received 7m  
 D Disqualification Dr Disqualification+Report FT Free Throw PC Pass clear chance OF Offensiven Foul TP Time played W warning  
 Blk. Block

# 2020中国男子手球超级联赛

## 广东江门

Final

FTR  
Match NO.22

太平洋保险江苏男子手球俱乐部 36.5 - 26.0 华体国奥男子手球俱乐部  
(21.5-13.0)(15.0-13.0)

2020-12-30 17:30  
广东江门体育中心体育馆

Referees: 王科(CHN) / 李兆蒙(CHN)

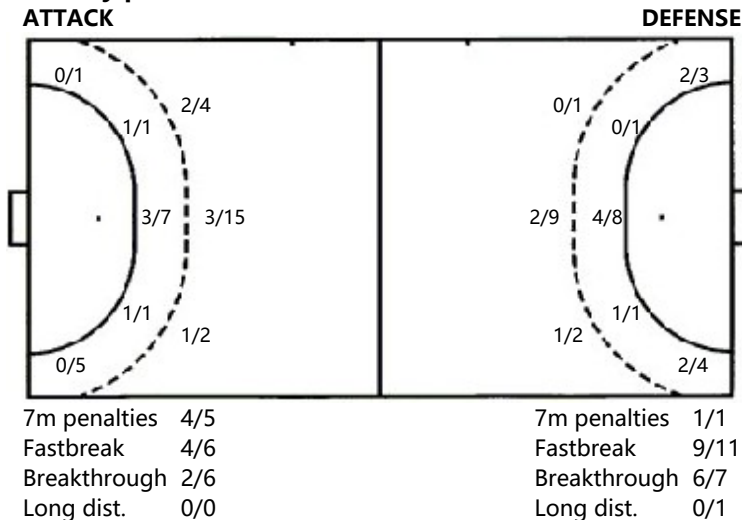
### Shot distribution by player

1.王帅	5.王晓峰	7.赵文宣	8.谢庆龙	9.赵元	10.朱世杰	12.王权																																																															
<table border="1"><tr><td></td><td></td><td></td></tr><tr><td></td><td></td><td></td></tr><tr><td></td><td></td><td></td></tr></table>										<table border="1"><tr><td></td><td></td><td></td></tr><tr><td></td><td></td><td></td></tr><tr><td></td><td></td><td></td></tr></table>										<table border="1"><tr><td></td><td></td><td></td></tr><tr><td></td><td></td><td></td></tr><tr><td></td><td></td><td></td></tr></table>										<table border="1"><tr><td></td><td></td><td></td></tr><tr><td></td><td></td><td></td></tr><tr><td></td><td></td><td></td></tr></table>										<table border="1"><tr><td></td><td></td><td></td></tr><tr><td></td><td></td><td>0/1</td></tr><tr><td>1/1</td><td></td><td></td></tr></table>						0/1	1/1			<table border="1"><tr><td></td><td>1/1</td><td>1/1</td></tr><tr><td>0/1</td><td></td><td></td></tr><tr><td>3/4</td><td></td><td></td></tr></table>		1/1	1/1	0/1			3/4			<table border="1"><tr><td></td><td></td><td></td></tr><tr><td></td><td></td><td></td></tr><tr><td></td><td></td><td></td></tr></table>									
		0/1																																																																			
1/1																																																																					
	1/1	1/1																																																																			
0/1																																																																					
3/4																																																																					
17.胡晋铭	18.李双	19.刘赵梁	21.金永峰	22.黄培杰	28.何喜年	65.王鹏皓																																																															
<table border="1"><tr><td></td><td></td><td></td></tr><tr><td></td><td></td><td></td></tr><tr><td></td><td></td><td>1/1</td></tr></table>									1/1	<table border="1"><tr><td></td><td></td><td></td></tr><tr><td></td><td></td><td>0/1</td></tr><tr><td>2/3</td><td>0/1</td><td>1/2</td></tr></table>						0/1	2/3	0/1	1/2	<table border="1"><tr><td></td><td></td><td></td></tr><tr><td></td><td></td><td></td></tr><tr><td></td><td></td><td></td></tr></table>										<table border="1"><tr><td></td><td></td><td></td></tr><tr><td></td><td></td><td></td></tr><tr><td>0/1</td><td></td><td></td></tr></table>							0/1			<table border="1"><tr><td></td><td></td><td></td></tr><tr><td>2/2</td><td>0/1</td><td></td></tr><tr><td>1/2</td><td></td><td></td></tr></table>				2/2	0/1		1/2			<table border="1"><tr><td></td><td></td><td></td></tr><tr><td></td><td></td><td></td></tr><tr><td></td><td></td><td></td></tr></table>										<table border="1"><tr><td></td><td>1/1</td><td>1/1</td></tr><tr><td>0/1</td><td></td><td></td></tr><tr><td>0/1</td><td></td><td>2/2</td></tr></table>		1/1	1/1	0/1			0/1		2/2
		1/1																																																																			
		0/1																																																																			
2/3	0/1	1/2																																																																			
0/1																																																																					
2/2	0/1																																																																				
1/2																																																																					
	1/1	1/1																																																																			
0/1																																																																					
0/1		2/2																																																																			
88.王军程	97.张建杰	.Total		1post 1miss	1miss 1block	3post 1block																																																															
<table border="1"><tr><td></td><td></td><td></td></tr><tr><td></td><td></td><td>1/1</td></tr><tr><td></td><td></td><td>3/5</td></tr></table>						1/1			3/5	<table border="1"><tr><td></td><td></td><td></td></tr><tr><td></td><td>0/1</td><td></td></tr><tr><td>0/2</td><td></td><td>1/1</td></tr></table>					0/1		0/2		1/1	<table border="1"><tr><td>1/1</td><td>1/1</td><td>2/2</td></tr><tr><td>2/4</td><td>0/2</td><td>1/3</td></tr><tr><td>7/14</td><td>0/1</td><td>8/11</td></tr></table>		1/1	1/1	2/2	2/4	0/2	1/3	7/14	0/1	8/11																																							
		1/1																																																																			
		3/5																																																																			
	0/1																																																																				
0/2		1/1																																																																			
1/1	1/1	2/2																																																																			
2/4	0/2	1/3																																																																			
7/14	0/1	8/11																																																																			
	1miss	4post 6miss 5block																																																																			

### Saves distribution goalkeepers

1.王帅	12.王权	28.何喜年	.Total																																				
<table border="1"><tr><td></td><td></td><td>0/1</td></tr><tr><td></td><td></td><td></td></tr><tr><td>1/2</td><td></td><td>0/1</td></tr></table>			0/1				1/2		0/1	<table border="1"><tr><td></td><td></td><td></td></tr><tr><td></td><td></td><td></td></tr><tr><td></td><td></td><td></td></tr></table>										<table border="1"><tr><td>3/3</td><td></td><td>1/4</td></tr><tr><td>3/4</td><td></td><td>1/1</td></tr><tr><td>1/16</td><td>1/2</td><td>1/9</td></tr></table>	3/3		1/4	3/4		1/1	1/16	1/2	1/9	<table border="1"><tr><td>3/3</td><td></td><td>1/5</td></tr><tr><td>3/4</td><td></td><td>1/1</td></tr><tr><td>2/18</td><td>1/2</td><td>1/10</td></tr></table>	3/3		1/5	3/4		1/1	2/18	1/2	1/10
		0/1																																					
1/2		0/1																																					
3/3		1/4																																					
3/4		1/1																																					
1/16	1/2	1/9																																					
3/3		1/5																																					
3/4		1/1																																					
2/18	1/2	1/10																																					

### Shots by position



### Shooting statistics

Position	Goals	Save	Miss	Post	Blk	Total	%
Back (9m)	6	9	1		5	21	28.9999999999999996
Line (6m)	5	3		1		9	56.0000000000000001
Wing		1	3	2		6	
7m penalties	4			1		5	80
Fastbreak	4	2				6	67
Breakthrough	2	2	2			6	33
Total	21	17	6	4	5	53	40

# Jersey number Tot. Total shooting 6m 6m shooting 9m 9m shooting Wing Wing shooting Fst Fastbreak 7m 7m Throw  
 Brk. Breakthrough LD Long distance shooting As. Assists E7 Earned 7m St. Steals 2m 2-minute suspension C7. Received 7m  
 D. Disqualification Dr Disqualification+Report FT Free Throw PC Pass clear chance OF Offensiven Foul TP Time played W warning  
 Blk. Block