

2020 年全国青年男子 U18 手球锦标赛

滁州体育馆

Placement

FTR
Match NO.43

广东男子手球队 28.5 - 47.5 江苏男子手球队
(13.5-30.0)(15.0-17.5)

2020-11-16 14:30
滁州体育馆1

Referees: 王亚光(CHN) / 宋优悠(CHN)

广东男子手球队

Players		Goals/shots										Attack				Defense			Penalties			TP		
#	Surname and name	Tot.	%	9m	6m	Wing	7m	Fst.	Brk.	FT	LD	As.	PC	E7	OF	St.	C7	Blk	W	2m	D		Dr	
1	齐振东																							19:53
2	黎焕平	0/2	0	0/1	0/1										2									20:54
3	杨金龙	3/8	37.5	0/3	2/2	0/1	1/1	0/1				2		1	1	1								44:39
4	潘帝鹏	2/5	40		1/1	1/4								1										37:31
5	董佳辉	2/5	40	2/4						0/1			1	1	2					1				39:05
6	罗智勇	4/15	26.67	2/10	1/1	0/2		1/1	0/1					3	2									45:21
7	田冠超	1/3	33.33	1/1	0/1	0/1						1	2	1	1				1					14:39
8	吴义松													2										22:28
9	李朗轩	4/11	36.36	1/4	0/1	1/1		1/3	1/2			1		2										29:14
10	唐日伟	3/5	60	1/1	1/2			1/1	0/1					2	2									44:39
11	林国俊	3/4	75		3/3	0/1								1										18:22
12	朱英杰																							00:00
13	程梦元	2/2	100					2/2						1										14:39
14	邱浩男														1	1								13:06
15	史文豪																							15:21
16	杨金彭																							00:00
	Total	24/60	40	7/24	8/12	2/10	1/1	5/8	1/4	0/1		4	3	1	17	9	1		1	1				

Goalkeepers		Saves / shots											TP
#	Surname and name	Tot.	%	9m	6m	Wing	7m	Fst.	Brk.	FT	LD		
1	齐振东	13/44	29.55	6/17	4/11	1/3	0/1	2/8	0/3	0/1		19:53	
12	朱英杰	2/7	28.57	1/3		0/1		1/3				00:00	
	Total	15/51	29.41	7/20	4/11	1/4	0/1	3/11	0/3	0/1			

Jersey number Tot. Total shooting 6m 6m shooting 9m 9m shooting Wing Wing shooting Fst Fastbreak 7m 7m Throw
 Brk. Breakthrough LD Long distance shooting As. Assists E7 Earned 7m St. Steals 2m 2-minute suspension C7. Received 7m
 D Disqualification Dr Disqualification+Report FT Free Throw PC Pass clear chance OF Offensiven Foul TP Time played W warning
 Blk. Block

2020 年全国青年男子 U18 手球锦标赛

滁州体育馆

Placement

Match Team Statistics
Match NO.43

广东男子手球队 28.5 - 47.5 江苏男子手球队
(13.5-30.0)(15.0-17.5)

2020-11-16 14:30
滁州体育馆1

Referees: 王亚光(CHN) / 宋优悠(CHN)

Shot distribution by player

1.齐振东

2.黎焕平

3.杨金龙

4.潘帝鹏

5.董佳辉

6.罗智勇

7.田冠超

	0/1	0/1

		1/3
	1/2	1/1

0/1		
1/1		1/2

		1/2
		1/1

1/2		0/1
0/2		1/2
	1/2	1/2

1/1		0/1

8.吴义松

9.李朗轩

2miss

10.唐日伟

1post

11.林国俊

2miss

12.朱英杰

4miss

13.程梦元

1post

14.邱浩男

	1/1	
1/3	0/1	2/2
0/1		

2/4		1/1

		1/1
0/1		
1/1	1/1	

2/2		

15.史文豪

2post 1miss
16.杨金彭

.Total

1/3	1/1	1/2
1/6	0/1	5/9
7/10	3/6	5/9

4post 9miss

Saves distribution goalkeepers

1.齐振东

12.朱英杰

.Total

1/3		2/3
1/4		3/5
2/10	1/4	3/15

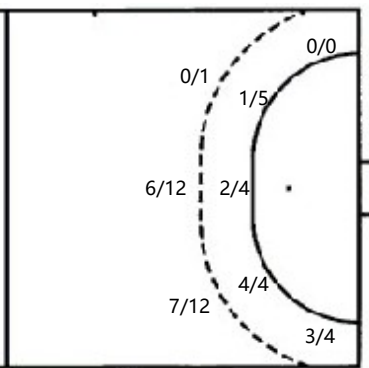
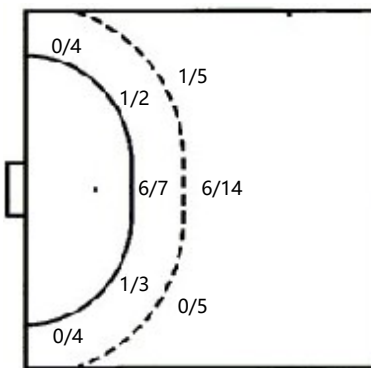
0/1		
	1/1	0/1
1/2		0/2

1/4		2/3
1/4	1/1	3/6
3/12	1/4	3/17

Shots by position

ATTACK

DEFENSE



7m penalties 1/1
Fastbreak 5/8
Breakthrough 1/4
Long dist. 0/0

7m penalties 1/1
Fastbreak 8/12
Breakthrough 3/4
Long dist. 0/0

Shooting statistics

Position	Goals	Save	Miss	Post	Blk	Total	%
Back (9m)	7	7	9	1		24	28.999999999999996
Line (6m)	8	4				12	67
Wing	2	6		2		10	20
7m penalties	1					1	100
Fastbreak	5	2		1		8	63
Breakthrough	1	3				4	25
Total	24	22	9	4		59	41

Jersey number Tot. Total shooting 6m 6m shooting 9m 9m shooting Wing Wing shooting Fst Fastbreak 7m 7m Throw
Brk. Breakthrough LD Long distance shooting As. Assists E7 Earned 7m St. Steals 2m 2-minute suspension C7. Received 7m
D. Disqualification Dr Disqualification+Report FT Free Throw PC Pass clear chance OF Offensiven Foul TP Time played W warning
Blk. Block

2020 年全国青年男子 U18 手球锦标赛

滁州体育馆

Placement

Match Team Statistics
Match NO.43

广东男子手球队 28.5 - 47.5 江苏男子手球队
(13.5-30.0)(15.0-17.5)

2020-11-16 14:30
滁州体育馆1

Referees: 王亚光(CHN) / 宋悠悠(CHN)

江苏男子手球队

Players		Goals/shots										Attack				Defense			Penalties				TP	
#	Surname and name	Tot.	%	9m	6m	Wing	7m	Fst.	Brk.	FT	LD	As.	PC	E7	OF	St.	C7	Blk	W	2m	D	Dr		
1	陈昊														2									38:57
3	刘文星	6/8	75		2/2	1/2		3/4					1			1								29:14
5	黄圣凯	1/1	100					1/1							2									16:07
6	周一鸣	8/11	72.73	5/8	1/1				1/1	1/1					4									29:14
7	马克	3/3	100	1/1				2/2					1			1								31:28
8	王晟宽	1/1	100					1/1							1									21:26
9	张曜玺																							00:00
10	程言垒	1/2	50		0/1		1/1								1									30:46
11	高雨	3/7	42.86	3/7											1									28:32
12	马骏														1									00:00
13	殷俊哲	1/1	100			1/1									3									38:16
15	马奔	3/7	42.86		3/7									1		2	1							38:33
17	李佳	2/3	66.67	1/2					1/1				1		1									30:46
18	陆新成	3/10	30	1/4	0/1	1/1		1/3	0/1						2	1								28:32
21	徐昊天	3/5	60	2/3				0/1	1/1						1	1								21:42
22	陆奕同	1/1	100		1/1											1								15:21
	Total	36/60	60	13/25	7/13	3/4	1/1	8/12	3/4	1/1			3	1	19	7	1							

Goalkeepers		Saves / shots											TP
#	Surname and name	Tot.	%	9m	6m	Wing	7m	Fst.	Brk.	FT	LD		
1	陈昊	15/32	46.88	2/6	3/10	5/7	0/1	2/5	2/2	1/1		38:57	
12	马骏	8/15	53.33	5/8	1/2	1/1		0/2	1/2			00:00	
	Total	23/47	48.94	7/14	4/12	6/8	0/1	2/7	3/4	1/1			

Jersey number Tot. Total shooting 6m 6m shooting 9m 9m shooting Wing Wing shooting Fst Fastbreak 7m 7m Throw
 Brk. Breakthrough LD Long distance shooting As. Assists E7 Earned 7m St. Steals 2m 2-minute suspension C7. Received 7m
 D Disqualification Dr Disqualification+Report FT Free Throw PC Pass clear chance OF Offensiven Foul TP Time played W warning
 Blk. Block

2020 年全国青年男子 U18 手球锦标赛

滁州体育馆

Placement

FTR
Match NO.43

广东男子手球队 28.5 - 47.5 江苏男子手球队
(13.5-30.0)(15.0-17.5)

2020-11-16 14:30
滁州体育馆1

Referees: 王亚光(CHN) / 宋悠悠(CHN)

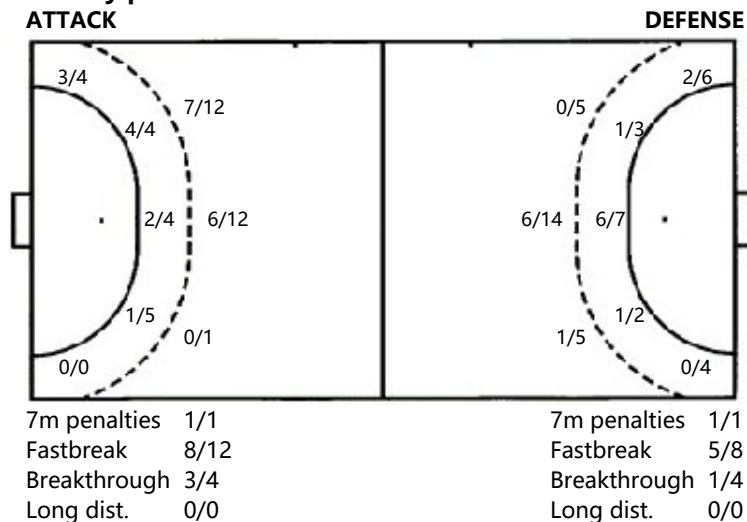
Shot distribution by player

1.陈昊	3.刘文星	5.黄圣凯	6.周一鸣	7.马克	8.王晟宽	9.张曜玺																																																															
<table border="1" style="width: 100%;"><tr><td> </td><td> </td><td> </td></tr><tr><td> </td><td> </td><td> </td></tr><tr><td> </td><td> </td><td> </td></tr></table>										<table border="1" style="width: 100%;"><tr><td> </td><td> </td><td>1/2</td></tr><tr><td> </td><td> </td><td>1/1</td></tr><tr><td>1/1</td><td> </td><td>3/3</td></tr></table>			1/2			1/1	1/1		3/3	<table border="1" style="width: 100%;"><tr><td>1/1</td><td> </td><td> </td></tr><tr><td> </td><td> </td><td> </td></tr><tr><td> </td><td> </td><td> </td></tr></table>	1/1									<table border="1" style="width: 100%;"><tr><td>1/1</td><td> </td><td>0/1</td></tr><tr><td>1/1</td><td> </td><td> </td></tr><tr><td>4/4</td><td> </td><td>2/2</td></tr></table>	1/1		0/1	1/1			4/4		2/2	<table border="1" style="width: 100%;"><tr><td> </td><td> </td><td> </td></tr><tr><td>1/1</td><td> </td><td>1/1</td></tr><tr><td>1/1</td><td> </td><td> </td></tr></table>				1/1		1/1	1/1			<table border="1" style="width: 100%;"><tr><td> </td><td> </td><td> </td></tr><tr><td> </td><td> </td><td> </td></tr><tr><td> </td><td> </td><td>1/1</td></tr></table>									1/1	<table border="1" style="width: 100%;"><tr><td> </td><td> </td><td> </td></tr><tr><td> </td><td> </td><td> </td></tr><tr><td> </td><td> </td><td> </td></tr></table>									
		1/2																																																																			
		1/1																																																																			
1/1		3/3																																																																			
1/1																																																																					
1/1		0/1																																																																			
1/1																																																																					
4/4		2/2																																																																			
1/1		1/1																																																																			
1/1																																																																					
		1/1																																																																			
10.程言垒	11.高雨	12.马骏	13.殷俊哲	15.马奔	17.李佳	18.陆新成																																																															
<table border="1" style="width: 100%;"><tr><td> </td><td> </td><td> </td></tr><tr><td> </td><td> </td><td>1/1</td></tr><tr><td> </td><td> </td><td> </td></tr></table>						1/1				1miss <table border="1" style="width: 100%;"><tr><td> </td><td> </td><td> </td></tr><tr><td> </td><td>0/1</td><td> </td></tr><tr><td>1/1</td><td>1/1</td><td>1/2</td></tr></table>					0/1		1/1	1/1	1/2	<table border="1" style="width: 100%;"><tr><td> </td><td> </td><td> </td></tr><tr><td> </td><td> </td><td> </td></tr><tr><td> </td><td> </td><td> </td></tr></table>										<table border="1" style="width: 100%;"><tr><td> </td><td> </td><td> </td></tr><tr><td> </td><td> </td><td> </td></tr><tr><td> </td><td> </td><td>1/1</td></tr></table>									1/1	<table border="1" style="width: 100%;"><tr><td> </td><td> </td><td> </td></tr><tr><td> </td><td> </td><td>0/2</td></tr><tr><td>1/1</td><td>1/2</td><td>1/1</td></tr></table>						0/2	1/1	1/2	1/1	<table border="1" style="width: 100%;"><tr><td> </td><td> </td><td> </td></tr><tr><td> </td><td> </td><td> </td></tr><tr><td> </td><td> </td><td> </td></tr></table>										<table border="1" style="width: 100%;"><tr><td> </td><td> </td><td>1/2</td></tr><tr><td> </td><td> </td><td>0/1</td></tr><tr><td>0/2</td><td> </td><td>2/3</td></tr></table>			1/2			0/1	0/2		2/3
		1/1																																																																			
	0/1																																																																				
1/1	1/1	1/2																																																																			
		1/1																																																																			
		0/2																																																																			
1/1	1/2	1/1																																																																			
		1/2																																																																			
		0/1																																																																			
0/2		2/3																																																																			
1miss 21.徐昊天	1post 1miss 22.陆奕同	.Total		1post	2post																																																																
<table border="1" style="width: 100%;"><tr><td> </td><td> </td><td> </td></tr><tr><td>1/1</td><td> </td><td>0/1</td></tr><tr><td> </td><td>1/1</td><td>1/2</td></tr></table>				1/1		0/1		1/1	1/2	<table border="1" style="width: 100%;"><tr><td> </td><td> </td><td> </td></tr><tr><td> </td><td> </td><td> </td></tr><tr><td>1/1</td><td> </td><td> </td></tr></table>							1/1			<table border="1" style="width: 100%;"><tr><td> </td><td> </td><td>3/4</td><td> </td><td>1/3</td></tr><tr><td> </td><td> </td><td>3/4</td><td>0/1</td><td>3/6</td></tr><tr><td> </td><td> </td><td>9/12</td><td>3/4</td><td>14/17</td></tr></table>				3/4		1/3			3/4	0/1	3/6			9/12	3/4	14/17	5post 4miss																																
1/1		0/1																																																																			
	1/1	1/2																																																																			
1/1																																																																					
		3/4		1/3																																																																	
		3/4	0/1	3/6																																																																	
		9/12	3/4	14/17																																																																	

Saves distribution goalkeepers

1.陈昊	12.马骏	.Total																											
<table border="1" style="width: 100%;"><tr><td>1/1</td><td> </td><td>0/1</td></tr><tr><td>4/5</td><td>1/1</td><td>3/6</td></tr><tr><td>1/7</td><td>3/5</td><td>2/6</td></tr></table>	1/1		0/1	4/5	1/1	3/6	1/7	3/5	2/6	<table border="1" style="width: 100%;"><tr><td>1/2</td><td>0/1</td><td>1/1</td></tr><tr><td>1/1</td><td> </td><td>1/3</td></tr><tr><td>2/3</td><td>0/1</td><td>2/3</td></tr></table>	1/2	0/1	1/1	1/1		1/3	2/3	0/1	2/3	<table border="1" style="width: 100%;"><tr><td>2/3</td><td>0/1</td><td>1/2</td></tr><tr><td>5/6</td><td>1/1</td><td>4/9</td></tr><tr><td>3/10</td><td>3/6</td><td>4/9</td></tr></table>	2/3	0/1	1/2	5/6	1/1	4/9	3/10	3/6	4/9
1/1		0/1																											
4/5	1/1	3/6																											
1/7	3/5	2/6																											
1/2	0/1	1/1																											
1/1		1/3																											
2/3	0/1	2/3																											
2/3	0/1	1/2																											
5/6	1/1	4/9																											
3/10	3/6	4/9																											

Shots by position



Shooting statistics

Position	Goals	Save	Miss	Post	Blk	Total	%
Back (9m)	13	7	2	3		25	52
Line (6m)	7	4	1	1		13	54
Wing	3	1				4	75
7m penalties	1					1	100
Fastbreak	8	3	1			12	67
Breakthrough	3			1		4	75
Total	35	15	4	5		59	59

# Jersey number	Tot. Total shooting	6m 6m shooting	9m 9m shooting	Wing Wing shooting	Fst Fastbreak	7m 7m Throw
Brk. Breakthrough	LD Long distance shooting	As. Assists	E7 Earned 7m	St. Steals	2m 2-minute suspension	C7. Received 7m
D. Disqualification	Dr Disqualification+Report	FT Free Throw	PC Pass clear chance	OF Offensiven Foul	TP Time played	W warning
Blk. Block						