

2020 年全国青年男子 U18 手球锦标赛

滁州体育馆

Preliminary

FTR
Match NO.20

安徽男子手球队 52.0 - 23.5 陕西男子手球队
(29.0-12.0)(23.0-11.5)

2020-11-14 08:30
滁州体育馆1

Referees: 张之伟(CHN) / 张智伟(CHN)

安徽男子手球队

Players		Goals/shots										Attack				Defense			Penalties				TP	
#	Surname and name	Tot.	%	9m	6m	Wing	7m	Fst.	Brk.	FT	LD	As.	PC	E7	OF	St.	C7	Blk	W	2m	D	Dr		
15	王东昇	7/7	100		3/3			4/4							1		1							31:39
25	毛饶翔	2/3	66.67		0/1			1/1	1/1			4	1		2	2								31:26
26	管家乐	3/5	60	1/3				2/2				2			3	2								32:16
27	朱正翔	0/1	0					0/1							1									32:52
33	崔晟鹏	2/2	100		1/1	1/1						1		1	1	1				1				25:05
34	江文											2			2									13:45
37	姚幸运	4/7	57.14	1/1	0/1			3/5								1								14:15
38	蔡博飞	6/9	66.67	0/1	4/4			1/2	1/2			5			2	1								14:13
39	韩伟伦	0/1	0	0/1								1	2											00:00
41	章道胜	5/6	83.33		3/3			2/3				1				2								14:13
42	苏永超	2/3	66.67		2/3																			15:33
47	花驰																							21:05
48	朱超	3/5	60		1/3			2/2							1									34:30
50	苏凯													1	1				1					15:36
54	毕允俊	2/3	66.67	1/1		0/1		1/1				1		1	1	1				1				00:00
56	王健鹏	5/8	62.5		1/2		1/1	2/4	1/1						3	2								31:08
	Total	41/60	68.33	3/7	15/21	1/2	1/1	18/25	3/4			17	3	3	18	12	1		1	2				

Goalkeepers		Saves / shots										TP
#	Surname and name	Tot.	%	9m	6m	Wing	7m	Fst.	Brk.	FT	LD	
15	王东昇											31:39
27	朱正翔											32:52
	Total											

Jersey number Tot. Total shooting 6m 6m shooting 9m 9m shooting Wing Wing shooting Fst Fastbreak 7m 7m Throw
 Brk. Breakthrough LD Long distance shooting As. Assists E7 Earned 7m St. Steals 2m 2-minute suspension C7. Received 7m
 D Disqualification Dr Disqualification+Report FT Free Throw PC Pass clear chance OF Offensiven Foul TP Time played W warning
 Blk. Block

2020 年全国青年男子 U18 手球锦标赛

滁州体育馆

Preliminary

Match Team Statistics

Match NO.20

安徽男子手球队 52.0 - 23.5 陕西男子手球队

(29.0-12.0)(23.0-11.5)

2020-11-14 08:30

滁州体育馆1

Referees: 张之伟(CHN) / 张智伟(CHN)

Shot distribution by player

15.王东昇

25.毛饶翔

26.管家乐

27.朱正翔

33.崔晟鹏

34.江文

37.姚幸运

		2/2
2/2		3/3

1/1		
		1/1

1/1		
1/1	0/1	
		1/1

		0/1

1/1		1/1

0/1		
1/1		0/1
2/2		1/1

38.蔡博飞

1post
39.韩伟伦

1post
41.章道胜

42.苏永超

47.花驰

48.朱超

1post
50.苏凯

1/1		
2/2		1/1
		2/3

0/1		1/1
2/2		2/2

		1/1
		1/1

		1/1
2/3		0/1

2miss
54.毕允俊

1miss
56.王健鹏

.Total

1post

		1/1
1/1		0/1

1/1		
		0/1
2/2	0/1	2/3

4/5		1/1
4/5	0/1	7/9
12/13	0/1	13/18

4post 3miss

Saves distribution goalkeepers

15.王东昇

27.朱正翔

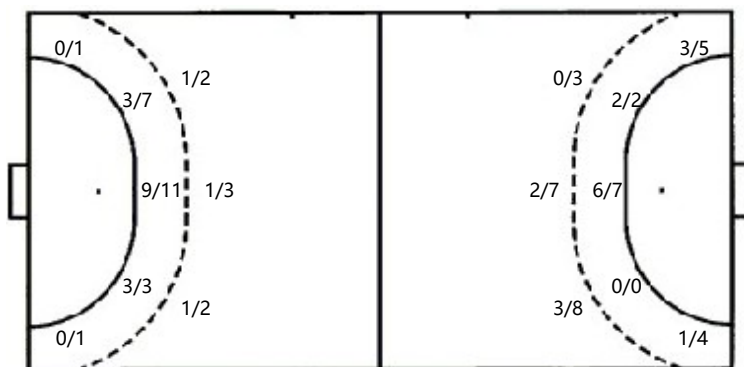
.Total

3/5	1/1	1/3
0/1		6/7
2/9	2/2	5/13

Shots by position

ATTACK

DEFENSE



7m penalties 1/1
Fastbreak 18/25
Breakthrough 3/4
Long dist. 0/0

7m penalties 2/3
Fastbreak 0/3
Breakthrough 2/5
Long dist. 0/0

Shooting statistics

Position	Goals	Save	Miss	Post	Blk	Total	%
Back (9m)	3	1	2	1		7	43
Line (6m)	15	3		3		21	71
Wing	1	1				2	50
7m penalties	1					1	100
Fastbreak	18	6	1			25	72
Breakthrough	3	1				4	75
Total	41	12	3	4		60	68

Jersey number **Tot.**Total shooting **6m** 6m shooting **9m** 9m shooting **Wing**Wing shooting **Fst** Fastbreak **7m** 7m Throw
Brk.Breakthrough **LD** Long distance shooting **As.** Assists **E7** Earned 7m **St.** Steals **2m** 2-minute suspension **C7.** Received 7m
D. Disqualification **Dr** Disqualification+Report **FT** Free Throw **PC** Pass clear chance **OF** Offensiven Foul **TP** Time played **W** warning
Blk. Block

2020 年全国青年男子 U18 手球锦标赛

滁州体育馆

Preliminary

Match Team Statistics
Match NO.20

安徽男子手球队 52.0 - 23.5 陕西男子手球队
(29.0-12.0)(23.0-11.5)

2020-11-14 08:30
滁州体育馆1

Referees: 张之伟(CHN) / 张智伟(CHN)

陕西男子手球队

Players		Goals/shots										Attack				Defense			Penalties				TP	
#	Surname and name	Tot.	%	9m	6m	Wing	7m	Fst.	Brk.	FT	LD	As.	PC	E7	OF	St.	C7	Blk	W	2m	D	Dr		
1	苏国恩																							05:18
3	王国栋	1/2	50			0/1	1/1									1	1	1						14:00
5	薛智尧	1/7	14.29	1/7										1	5	1								15:36
6	王力	4/5	80		1/1	3/4									1									14:03
7	苏文茂	3/3	100	1/1	2/2																			15:37
8	马力	2/4	50		2/3			0/1							1									16:14
9	段家乐	2/5	40	0/1	2/2				0/2								1							33:15
10	吴林扬	1/1	100				1/1																	00:00
11	乔春瑞																							00:00
12	周洲																							27:35
13	刘成果	1/1	100		1/1								1		6	1								13:59
15	蒋超	0/2		0/1				0/1							4									14:02
17	高文瀚	1/2	50			1/2									1									15:38
18	孙钊	2/6	33.33	0/2		0/1			2/3						6									13:59
21	巩师刚	3/6	50	3/5			0/1								3									43:08
22	简保华	0/3		0/1		0/1		0/1							2	1	1							15:37
	Total	21/47	44.68	5/18	8/9	4/9	2/3	0/3	2/5				1	1	30	4	3							

Goalkeepers		Saves / shots											TP
#	Surname and name	Tot.	%	9m	6m	Wing	7m	Fst	Brk.	FT	LD		
1	苏国恩	4/24	16.67		1/9	1/2		1/10	1/3			05:18	
12	周洲	8/29	27.59	1/4	2/9		0/1	5/14	0/1			27:35	
	Total	12/53	22.64	1/4	3/18	1/2	0/1	6/24	1/4				

Jersey number Tot. Total shooting 6m 6m shooting 9m 9m shooting Wing Wing shooting Fst Fastbreak 7m 7m Throw
 Brk. Breakthrough LD Long distance shooting As. Assists E7 Earned 7m St. Steals 2m 2-minute suspension C7. Received 7m
 D Disqualification Dr Disqualification+Report FT Free Throw PC Pass clear chance OF Offensiven Foul TP Time played W warning
 Blk. Block

2020 年全国青年男子 U18 手球锦标赛

滁州体育馆

Preliminary

FTR
Match NO.20

安徽男子手球队 52.0 - 23.5 陕西男子手球队
(29.0-12.0)(23.0-11.5)

2020-11-14 08:30
滁州体育馆1

Referees: 张之伟(CHN) / 张智伟(CHN)

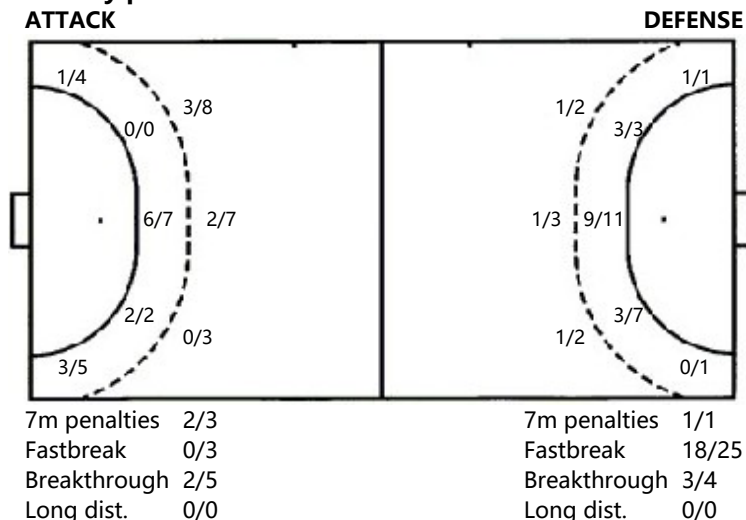
Shot distribution by player

1.苏国恩	3.王国栋	5.薛智尧	6.王力	7.苏文茂	8.马力	9.段家乐																																																															
<table border="1" style="width: 100%;"><tr><td> </td><td> </td><td> </td></tr><tr><td> </td><td> </td><td> </td></tr><tr><td> </td><td> </td><td> </td></tr></table>										<table border="1" style="width: 100%;"><tr><td> </td><td> </td><td> </td></tr><tr><td> </td><td> </td><td> </td></tr><tr><td> </td><td> </td><td>1/1</td></tr></table>									1/1	<table border="1" style="width: 100%;"><tr><td>1/2</td><td> </td><td>0/1</td></tr><tr><td> </td><td> </td><td>0/1</td></tr><tr><td>0/1</td><td> </td><td>0/1</td></tr></table>	1/2		0/1			0/1	0/1		0/1	<table border="1" style="width: 100%;"><tr><td>1/1</td><td> </td><td> </td></tr><tr><td>1/1</td><td> </td><td>0/1</td></tr><tr><td>1/1</td><td> </td><td>1/1</td></tr></table>	1/1			1/1		0/1	1/1		1/1	<table border="1" style="width: 100%;"><tr><td> </td><td> </td><td> </td></tr><tr><td> </td><td> </td><td> </td></tr><tr><td> </td><td> </td><td>3/3</td></tr></table>									3/3	<table border="1" style="width: 100%;"><tr><td> </td><td> </td><td> </td></tr><tr><td> </td><td> </td><td>0/1</td></tr><tr><td>1/1</td><td> </td><td>1/2</td></tr></table>						0/1	1/1		1/2	<table border="1" style="width: 100%;"><tr><td> </td><td> </td><td> </td></tr><tr><td> </td><td> </td><td>0/1</td></tr><tr><td>1/2</td><td> </td><td>1/1</td></tr></table>						0/1	1/2		1/1
		1/1																																																																			
1/2		0/1																																																																			
		0/1																																																																			
0/1		0/1																																																																			
1/1																																																																					
1/1		0/1																																																																			
1/1		1/1																																																																			
		3/3																																																																			
		0/1																																																																			
1/1		1/2																																																																			
		0/1																																																																			
1/2		1/1																																																																			
10.吴林扬	11.乔春瑞 <small>1miss</small>	12.周洲 <small>1miss</small>	13.刘成果	15.蒋超	17.高文瀚	18.孙钊 <small>1miss</small>																																																															
<table border="1" style="width: 100%;"><tr><td> </td><td> </td><td> </td></tr><tr><td> </td><td> </td><td> </td></tr><tr><td>1/1</td><td> </td><td> </td></tr></table>							1/1			<table border="1" style="width: 100%;"><tr><td> </td><td> </td><td> </td></tr><tr><td> </td><td> </td><td> </td></tr><tr><td> </td><td> </td><td> </td></tr></table>										<table border="1" style="width: 100%;"><tr><td> </td><td> </td><td> </td></tr><tr><td> </td><td> </td><td> </td></tr><tr><td> </td><td> </td><td> </td></tr></table>										<table border="1" style="width: 100%;"><tr><td> </td><td> </td><td> </td></tr><tr><td> </td><td> </td><td> </td></tr><tr><td>1/1</td><td> </td><td> </td></tr></table>							1/1			<table border="1" style="width: 100%;"><tr><td>0/1</td><td> </td><td> </td></tr><tr><td> </td><td> </td><td> </td></tr><tr><td> </td><td> </td><td>0/1</td></tr></table>	0/1								0/1	<table border="1" style="width: 100%;"><tr><td> </td><td> </td><td> </td></tr><tr><td> </td><td> </td><td>0/1</td></tr><tr><td>1/1</td><td> </td><td> </td></tr></table>						0/1	1/1			<table border="1" style="width: 100%;"><tr><td> </td><td> </td><td> </td></tr><tr><td> </td><td> </td><td>1/1</td></tr><tr><td> </td><td> </td><td>1/2</td></tr></table>						1/1			1/2
1/1																																																																					
1/1																																																																					
0/1																																																																					
		0/1																																																																			
		0/1																																																																			
1/1																																																																					
		1/1																																																																			
		1/2																																																																			
21.巩师刚	22.简保华	.Total																																																																			
<table border="1" style="width: 100%;"><tr><td>0/1</td><td> </td><td>1/1</td></tr><tr><td> </td><td> </td><td> </td></tr><tr><td>1/1</td><td> </td><td>1/1</td></tr></table>	0/1		1/1				1/1		1/1	<table border="1" style="width: 100%;"><tr><td> </td><td> </td><td> </td></tr><tr><td> </td><td> </td><td>0/1</td></tr><tr><td> </td><td> </td><td>0/1</td></tr></table>						0/1			0/1	<table border="1" style="width: 100%;"><tr><td>2/5</td><td>0/1</td><td>2/3</td></tr><tr><td>1/1</td><td> </td><td>1/7</td></tr><tr><td>7/9</td><td>0/2</td><td>8/13</td></tr></table>				2/5	0/1	2/3	1/1		1/7	7/9	0/2	8/13																																					
0/1		1/1																																																																			
1/1		1/1																																																																			
		0/1																																																																			
		0/1																																																																			
2/5	0/1	2/3																																																																			
1/1		1/7																																																																			
7/9	0/2	8/13																																																																			
<small>2post</small>	<small>1post</small>	<small>3post 3miss</small>																																																																			

Saves distribution goalkeepers

1.苏国恩	12.周洲	.Total																											
<table border="1" style="width: 100%;"><tr><td>0/1</td><td> </td><td> </td></tr><tr><td>0/3</td><td> </td><td>1/4</td></tr><tr><td>0/7</td><td> </td><td>3/9</td></tr></table>	0/1			0/3		1/4	0/7		3/9	<table border="1" style="width: 100%;"><tr><td>1/4</td><td> </td><td>0/1</td></tr><tr><td>1/2</td><td>1/1</td><td>1/5</td></tr><tr><td>1/6</td><td>1/1</td><td>2/9</td></tr></table>	1/4		0/1	1/2	1/1	1/5	1/6	1/1	2/9	<table border="1" style="width: 100%;"><tr><td>1/5</td><td> </td><td>0/1</td></tr><tr><td>1/5</td><td>1/1</td><td>2/9</td></tr><tr><td>1/13</td><td>1/1</td><td>5/18</td></tr></table>	1/5		0/1	1/5	1/1	2/9	1/13	1/1	5/18
0/1																													
0/3		1/4																											
0/7		3/9																											
1/4		0/1																											
1/2	1/1	1/5																											
1/6	1/1	2/9																											
1/5		0/1																											
1/5	1/1	2/9																											
1/13	1/1	5/18																											

Shots by position



Shooting statistics

Position	Goals	Save	Miss	Post	Blk	Total	%
Back (9m)	5	9	2	2		18	28.000000000000004
Line (6m)	8	1				9	89
Wing	4	4	1			9	44
7m penalties	2			1		3	67
Fastbreak		3				3	
Breakthrough	2	3				5	40
Total	21	20	3	3		47	45

Jersey number **Tot.** Total shooting **6m** 6m shooting **9m** 9m shooting **Wing** Wing shooting **Fst** Fastbreak **7m** 7m Throw
Brk. Breakthrough **LD** Long distance shooting **As.** Assists **E7** Earned 7m **St.** Steals **2m** 2-minute suspension **C7.** Received 7m
D. Disqualification **Dr** Disqualification+Report **FT** Free Throw **PC** Pass clear chance **OF** Offensiven Foul **TP** Time played **W** warning
Blk. Block