

全国女子锦标赛

重庆万州

Final

FTR
Match NO.45江苏队 42 - 25.5 山东队
(20.0 - 14.0)(22.0 - 11.5)2020-09-26 14:00
体育馆

Referees: 许翔(CHN) / 刘禹(CHN)

江苏队

Players		Goals/shots										Attack				Def.			Penalties				TP	
#	Surname and name	Tot.	%	9m	6m	Wing	7m	Fst.	Brk.	FT	LD	As.	PC	E7	OF	St.	C7	Blk	W	2m	Dr	D		
1	王丹	4/4	100	1/1		1/1	1/1		1/1						1									21:35
3	张海侠	3/3	100			2/2		1/1												3				27:39
5	庄红艳	2/2	100					2/2					1				1							15:04
6	凤洋	3/3	100		1/1			2/2																06:44
9	莫蒙蒙	5/6	83.33		4/4			1/2						1	2		1	1						53:34
10	王可可	1/1	100					1/1							1									07:48
11	于源源	0/2	0	0/1		0/1											2							52:14
12	黄霞											4												00:00
15	焉妍																	1						00:00
18	戴小宇																							00:00
31	王铃娜																							00:00
32	孙姣	3/4	75		0/1	1/1		2/2																49:29
34	金梦青	10/13	76.92	0/2	1/1		5/5	1/2	2/2	1/1		4	1		3	2				1				59:25
69	蓝小玲	5/9	55.56	0/1	1/2		1/1		3/4	0/1		2		1	3	1	3	3						55:20
	Total	36/47	76.6	1/5	7/9	4/5	7/7	10/12	6/7	1/2		10	2	2	10	3	7	5	1	3				

Goalkeepers		Saves / shots										TP
#	Surname and name	Tot.	%	9m	6m	Wing	7m	FB	Brk.	FT	LD	
12	黄霞	18/40		8/15	5/7	2/6	1/2	1/4	1/4	0/2		00:00
	Total	18/40		8/15	5/7	2/6	1/2	1/4	1/4	0/2		

#	Jersey number	Tot.	Total shooting	6m	6m (line) shooting	9m	9m shooting	Wng.	Wing shooting	Fst.	Fastbreak	7m	7m Throw
Brk.	Breakthrough sh.	LD	Long distance	As.	Assists	E7	Earned 7m	TF	Technical faults	St.	Steals	2m	2m punishments
2m	2m punishments	C7.	Received 7m	YC.	Yellow cards	Blk.	Blocks	OF	Offensive Foul	TP	Time played	W	warning
D	Disqualification	Dr	Disqualification Report	FT	Free Throw	PC	Passclear(Assists without god)						

全国女子锦标赛

重庆万州

Final

Match Team Statistics
Match NO.45

江苏队 42 - 25.5 山东队
(20.0 - 14.0)(22.0 - 11.5)

2020-09-26 14:00
体育馆

Referees: 许翔(CHN) / 刘禹(CHN)

Shot distribution by player

1.王丹	3.张海侠	5.庄红艳	6.凤洋	9.莫蒙蒙	10.王可可	11.于源源																																																																								
<table border="1"><tr><td></td><td></td><td>1/1</td></tr><tr><td></td><td></td><td></td></tr><tr><td>1/1</td><td></td><td>2/2</td></tr></table>			1/1				1/1		2/2	<table border="1"><tr><td></td><td></td><td>1/1</td></tr><tr><td></td><td></td><td></td></tr><tr><td></td><td></td><td>2/2</td></tr></table>			1/1						2/2	<table border="1"><tr><td></td><td></td><td></td></tr><tr><td></td><td></td><td></td></tr><tr><td>2/2</td><td></td><td></td></tr></table>							2/2			<table border="1"><tr><td></td><td></td><td></td></tr><tr><td></td><td></td><td></td></tr><tr><td>1/1</td><td></td><td>2/2</td></tr></table>							1/1		2/2	<table border="1"><tr><td></td><td></td><td></td></tr><tr><td></td><td></td><td></td></tr><tr><td>0/1</td><td></td><td></td></tr><tr><td>2/2</td><td></td><td>3/3</td></tr></table>							0/1			2/2		3/3	<table border="1"><tr><td></td><td></td><td></td></tr><tr><td></td><td></td><td></td></tr><tr><td>1/1</td><td></td><td></td></tr></table>							1/1			<table border="1"><tr><td></td><td></td><td></td></tr><tr><td></td><td></td><td></td></tr><tr><td></td><td></td><td>0/1</td></tr></table>									0/1						
		1/1																																																																												
1/1		2/2																																																																												
		1/1																																																																												
		2/2																																																																												
2/2																																																																														
1/1		2/2																																																																												
0/1																																																																														
2/2		3/3																																																																												
1/1																																																																														
		0/1																																																																												
12.黄霞	15.焉妍	18.戴小宇	31.王铃娜	32.孙姣	34.金梦青	69.蓝小玲 ^{1post}																																																																								
<table border="1"><tr><td></td><td></td><td></td></tr><tr><td></td><td></td><td></td></tr><tr><td></td><td></td><td></td></tr></table>										<table border="1"><tr><td></td><td></td><td></td></tr><tr><td></td><td></td><td></td></tr><tr><td></td><td></td><td></td></tr></table>										<table border="1"><tr><td></td><td></td><td></td></tr><tr><td></td><td></td><td></td></tr><tr><td></td><td></td><td></td></tr></table>										<table border="1"><tr><td></td><td></td><td></td></tr><tr><td></td><td></td><td></td></tr><tr><td></td><td></td><td></td></tr></table>										<table border="1"><tr><td></td><td></td><td></td></tr><tr><td></td><td></td><td></td></tr><tr><td></td><td></td><td></td></tr><tr><td></td><td></td><td>3/4</td></tr></table>												3/4	<table border="1"><tr><td></td><td></td><td></td></tr><tr><td>1/1</td><td></td><td>4/5</td></tr><tr><td>1/1</td><td></td><td></td></tr><tr><td>1/2</td><td>1/1</td><td>2/2</td></tr></table>				1/1		4/5	1/1			1/2	1/1	2/2	<table border="1"><tr><td></td><td></td><td></td></tr><tr><td></td><td></td><td></td></tr><tr><td></td><td>0/1</td><td></td></tr><tr><td>3/4</td><td></td><td>2/3</td></tr></table>								0/1		3/4		2/3
		3/4																																																																												
1/1		4/5																																																																												
1/1																																																																														
1/2	1/1	2/2																																																																												
	0/1																																																																													
3/4		2/3																																																																												
.Total					1post	1block																																																																								

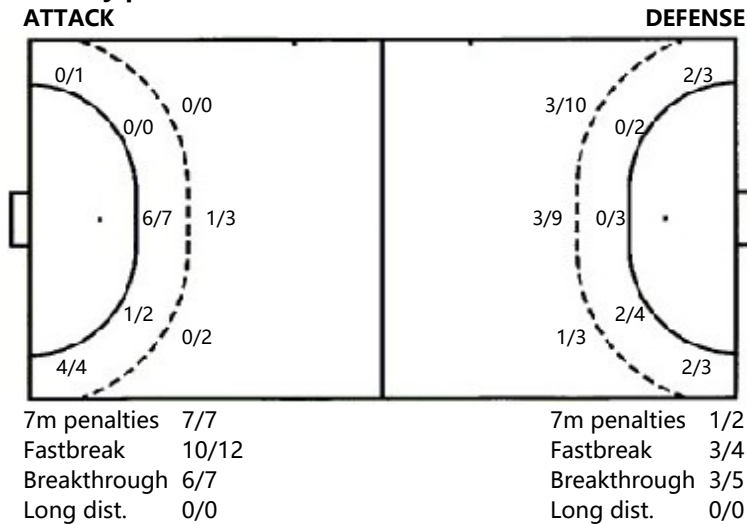
1/1		6/7
1/2	0/1	0/1
11/13	1/1	16/18

2post 1block

Saves distribution goalkeepers

12.黄霞	.Total																		
<table border="1"><tr><td>0/5</td><td></td><td>0/6</td></tr><tr><td>2/4</td><td>1/1</td><td></td></tr><tr><td>2/7</td><td>5/5</td><td>8/12</td></tr></table>	0/5		0/6	2/4	1/1		2/7	5/5	8/12	<table border="1"><tr><td>0/5</td><td></td><td>0/6</td></tr><tr><td>2/4</td><td>1/1</td><td></td></tr><tr><td>2/7</td><td>5/5</td><td>8/12</td></tr></table>	0/5		0/6	2/4	1/1		2/7	5/5	8/12
0/5		0/6																	
2/4	1/1																		
2/7	5/5	8/12																	
0/5		0/6																	
2/4	1/1																		
2/7	5/5	8/12																	

Shots by position



Shooting statistics

Position	Goals	Sav.	Miss.	Post	Blk.	Total	%
Back (9m)	1	4				5	20.00
Line (6m)	7	2				9	77.78
Wing	4			1		5	80.00
7m penalties	7					7	100.00
Fastbreak	10	1		1		12	83.33
Breakthrough	6	1				7	85.71
Total	35	8		2		45	77.78

# Jersey number	Tot. Total shooting	6m 6m (line) shooting	9m 9m shooting	Wng. Wing shooting	Fst. Fastbreak	7m 7m Throw
Brk. Breakthrough sh.	LD Long distance	As. Assists	E7 Earned 7m	TF Technical faults	St. Steals	2m 2m punishments
2m 2m punishments	C7. Received 7m	YC. Yellow cards	Blk. Blocks	OF Offensiven Foul	TP Time played	W warning
D Disqualification	Dr Disqualification Report	FT Free Throw	PC Passclear(Assists without god)			

全国女子锦标赛

重庆万州

Final

Match Team Statistics
Match NO.45江苏队 42 - 25.5 山东队
(20.0 - 14.0)(22.0 - 11.5)2020-09-26 14:00
体育馆

Referees: 许翔(CHN) / 刘禹(CHN)

山东队

Players		Goals/shots										Attack				Def.			Penalties				TP	
#	Surname and name	Tot.	%	9m	6m	Wing	7m	Fst.	Brk.	FT	LD	As.	PC	E7	OF	St.	C7	Blk	W	2m	Dr	D	TP	
1	刘畅	0/5		0/5																				35:02
2	林燕群	4/6	66.67		1/2	1/1	0/1			2/2		3			5	2					1			47:52
3	侯秀萍																							00:00
9	周钰婷	2/5	40		0/3	1/1		1/1						1		2								40:47
10	田秀秀	4/7	57.14		1/1			0/1	3/5					3	3		2				1			56:15
11	吕青纹	2/4	50			1/3		1/1							1							1		54:42
16	宋俊蓉																							00:49
17	高梦洁																							00:01
18	刘婵	1/2	50		0/1			1/1								1								34:12
19	姜伟珊																							00:00
20	张悦																							45:04
23	徐悦																							17:00
27	官蕾	2/4	50		0/2	1/1	1/1							3	1	2		1			1			47:35
33	王彩琳																							00:46
	Total	15/33	45.45	0/5	2/9	4/6	1/2	3/4	3/5	2/2		3		7	10	7	2	1			4			

Goalkeepers		Saves / shots											TP
#	Surname and name	Tot.	%	9m	6m	Wing	7m	FB	Brk.	FT	LD	TP	
1	刘畅	8/40	20	4/5	2/9	0/4	0/3	1/11	1/7	0/1		35:02	
16	宋俊蓉	0/4					0/4					00:49	
	Total	8/44	18.18	4/5	2/9	0/4	0/7	1/11	1/7	0/1			

#	Jersey number	Tot.	Total shooting	6m	6m (line) shooting	9m	9m shooting	Wng	Wing shooting	Fst.	Fastbreak	7m	7m Throw
Brk.	Breakthrough sh.	LD	Long distance	As.	Assists	E7	Eearned 7m	TF	Technical faults	St.	Steals	2m	2m punishments
2m	2m punishments	C7.	Received 7m	YC.	Yellow cards	Blk.	Blocks	OF	Offensive Foul	TP	Time played	W	warning
D	Disqualification	Dr	Disqualification Report	FT	Free Throw	PC	Passclear(Assists without god)						

全国女子锦标赛

重庆万州

Final

FTR
Match NO.45

江苏队 42 - 25.5 山东队
(20.0 - 14.0)(22.0 - 11.5)

2020-09-26 14:00
体育馆

Referees: 许翔(CHN) / 刘禹(CHN)

Shot distribution by player

1.刘畅	2.林燕群	3.侯秀萍	9.周钰婷	10.田秀秀	11.吕青纹	16.宋俊蓉
	2/2 2/2		2/2 1/1	2/2	1/1	
	1/1 0/1			0/1	1/2	
	0/3 2/3		1/1 0/3	3/4 0/1 1/2	0/1 0/1	
17.高梦洁	18.刘婵	19.姜伟珊	20.张悦	23.徐悦	27.官蕾	33.王彩琳
	1block		2post 1miss	1post 2block	1block	
	0/1 1/2				1/1	
	1block				1/1 0/1	
.Total					1miss	

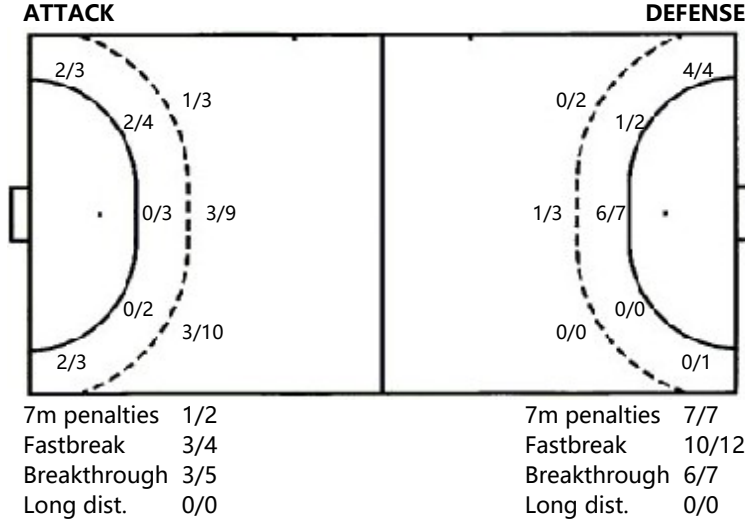
5/5		6/6
2/4	0/1	
5/7	0/5	4/12

3post 2miss 5block

Saves distribution goalkeepers

1.刘畅	16.宋俊蓉	.Total
0/1 1/5	0/2	0/1 1/7
1/1 1/1 1/1	0/1	1/2 1/1 1/1
2/13 0/1 2/17	0/1	2/13 0/1 2/18

Shots by position



Shooting statistics

Position	Goals	Sav.	Miss.	Post	Blk.	Total	%
Back (9m)	7	8	1	2	4	22	31.82
Line (6m)	2	5	1		1	9	22.22
Wing	4	2				6	66.67
7m penalties	1	1				2	50.00
Fastbreak	3	1				4	75.00
Breakthrough	3	1		1		5	60.00
Total	20	18	2	3	5	48	41.67

# Jersey number	Tot. Total shooting	6m 6m (line) shooting	9m 9m shooting	Wng. Wing shooting	Fst. Fastbreak	7m 7m Throw
Brk. Breakthrough sh.	LD Long distance	As. Assists	E7 Earned 7m	TF Technical faults	St. Steals	2m 2m punishments
2m 2m punishments	C7. Received 7m	YC. Yellow cards	Blk. Blocks	OF Offensiven Foul	TP Time played	W warning
D Disqualification	Dr Disqualification Report	FT Free Throw	PC Passclear(Assists without god)			